

POMPE A PISTONI FISSAGGIO 4 FORI-ISO

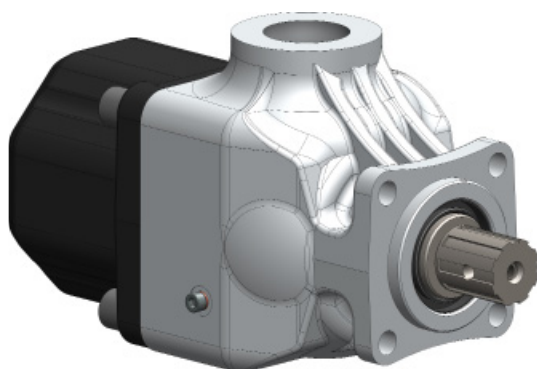
CODICE FAMIGLIA
FAMILY CODE

108005

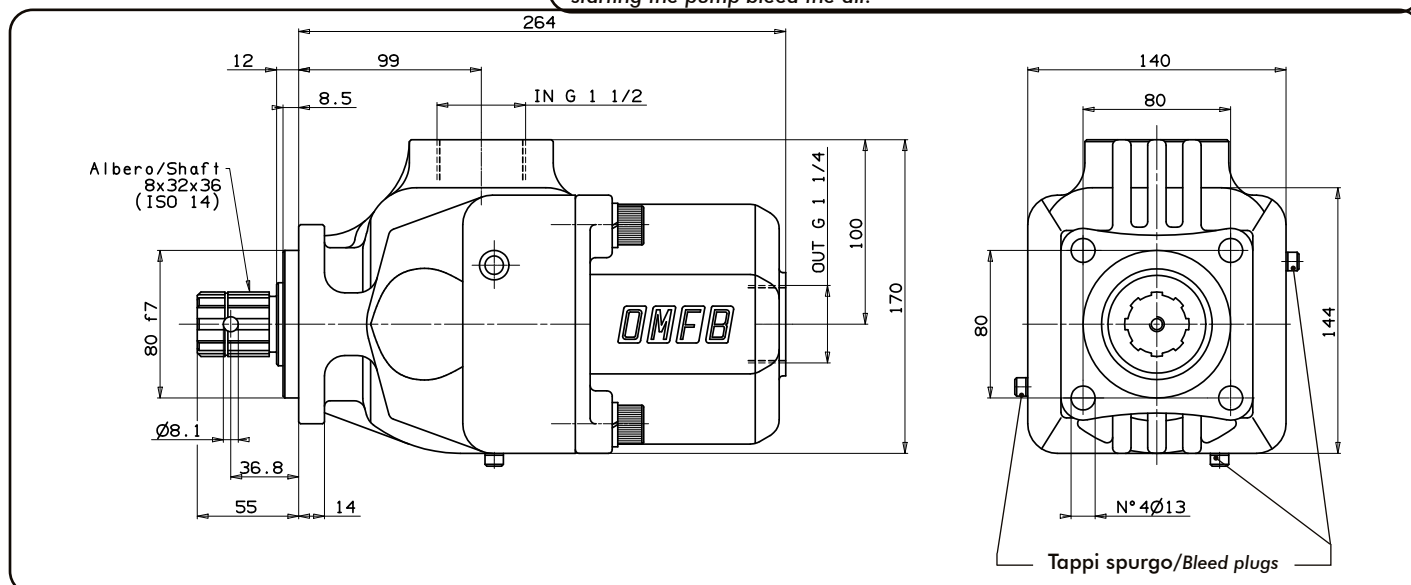
4 HOLES-ISO HYDRAULIC PISTON PUMPS

"2PAK"

99740060010



Fluido idraulico Fluid	Minerale o sintetico compatibile con guarnizioni: Mineral or synthetic compatible with the following seals: NBR, FKM, FPM, Nylon				
Viscosità cinematica consigliata Kinematic viscosity suggested	T media ambiente (°C) Average ambient temp. (°C)	< -10	-10 ÷ 10	10 ÷ 35	> 35
	VG (cSt = mm ² /s)	16	22	32	46
Viscosità cinematica ottimale di esercizio Optimale kinematic viscosity		VG= 10 cSt ÷ 100 cSt			
Viscosità cinematica max consentita all'avviamento Max kinematic viscosity suggested at the start-up		VG= 750 cSt			
Indice di viscosità consigliato Viscosity index suggested	VI > 100	Temperatura di esercizio Working temperature -15°C ÷ 100°C			
Grado di filtrazione Oil filtering		> 200 bar: 10 µm < 200 bar: 25 µm			
Pres. di aspirazione Inlet pressure		0,85 ÷ 2 bar assoluti/absolut			
Senso di rotazione Pump rotation		Bidirezionale Bidirectional			
Verificare che la pompa sia posizionata almeno 100 mm sotto il livello minimo del serbatoio olio. Prima di avviare la pompa effettuare spurgo aria. Verify that pump is, at least, 100 mm under the minimum level of the tank. Before starting the pump bleed the air.					



997108000530 Rev.: AG

Tipo pompa Pump type	Codice Code	Cilindrata Displacement cm ³ /rev	Pressione Pressure		Velocità massima Max speed rpm	Peso Weight kg
			Massima Max bar	Picco Peak bar		
2PAK-70	10800507027	73	300	350	1500	20,9
2PAK-80	10800508026	82,2				20,8
2PAK-90	10800509025	91,4				20,7
2PAK-100	10800510022	100,4				20,7

Алматы (7273)495-231
Ангарск (3955)60-70-56
Архангельск (8182)63-90-72
Астрахань (8512)99-46-04
Барнаул (3852)73-04-60
Белгород (4722)40-23-64
Благовещенск (4162)22-76-07
Брянск (4832)59-03-52
Владивосток (423)249-28-31
Владикавказ (8672)28-90-48
Владимир (4922)49-43-18
Волгоград (844)278-03-48
Вологда (8172)26-41-59
Воронеж (473)204-51-73
Екатеринбург (343)384-55-89

Иваново (4932)77-34-06
Ижевск (3412)26-03-58
Иркутск (395)279-98-46
Казань (843)206-01-48
Калининград (4012)72-03-81
Калуга (4842)92-23-67
Кемерово (3842)65-04-62
Киров (8332)68-02-04
Коломна (4966)23-41-49
Кострома (4942)77-07-48
Краснодар (861)203-40-90
Красноярск (391)204-63-61
Курск (4712)77-13-04
Курган (3522)50-90-47
Липецк (4742)52-20-81

Магнитогорск (3519)55-03-13
Москва (495)268-04-70
Мурманск (8152)59-64-93
Набережные Челны (8552)20-53-41
Нижний Новгород (831)429-08-12
Новокузнецк (3843)20-46-81
Новосибирск (3496)41-32-12
Новосибирск (383)227-86-73
Омск (3812)21-46-40
Орел (4862)44-53-42
Оренбург (3532)37-68-04
Пенза (8412)22-31-16
Петрозаводск (8142)55-98-37
Псков (8112)59-10-37
Пермь (342)205-81-47

Ростов-на-Дону (863)308-18-15
Рязань (4912)46-61-64
Самара (846)206-03-16
Санкт-Петербург (812)309-46-40
Саратов (845)249-38-78
Севастополь (8692)22-31-93
Саранск (8342)22-96-24
Симферополь (3652)67-13-56
Смоленск (4812)29-41-54
Сочи (862)225-72-31
Ставрополь (8652)20-65-13
Сургут (3462)77-98-35
Сыктывкар (8212)25-95-17
Тамбов (4752)50-40-97
Тверь (4822)63-31-35

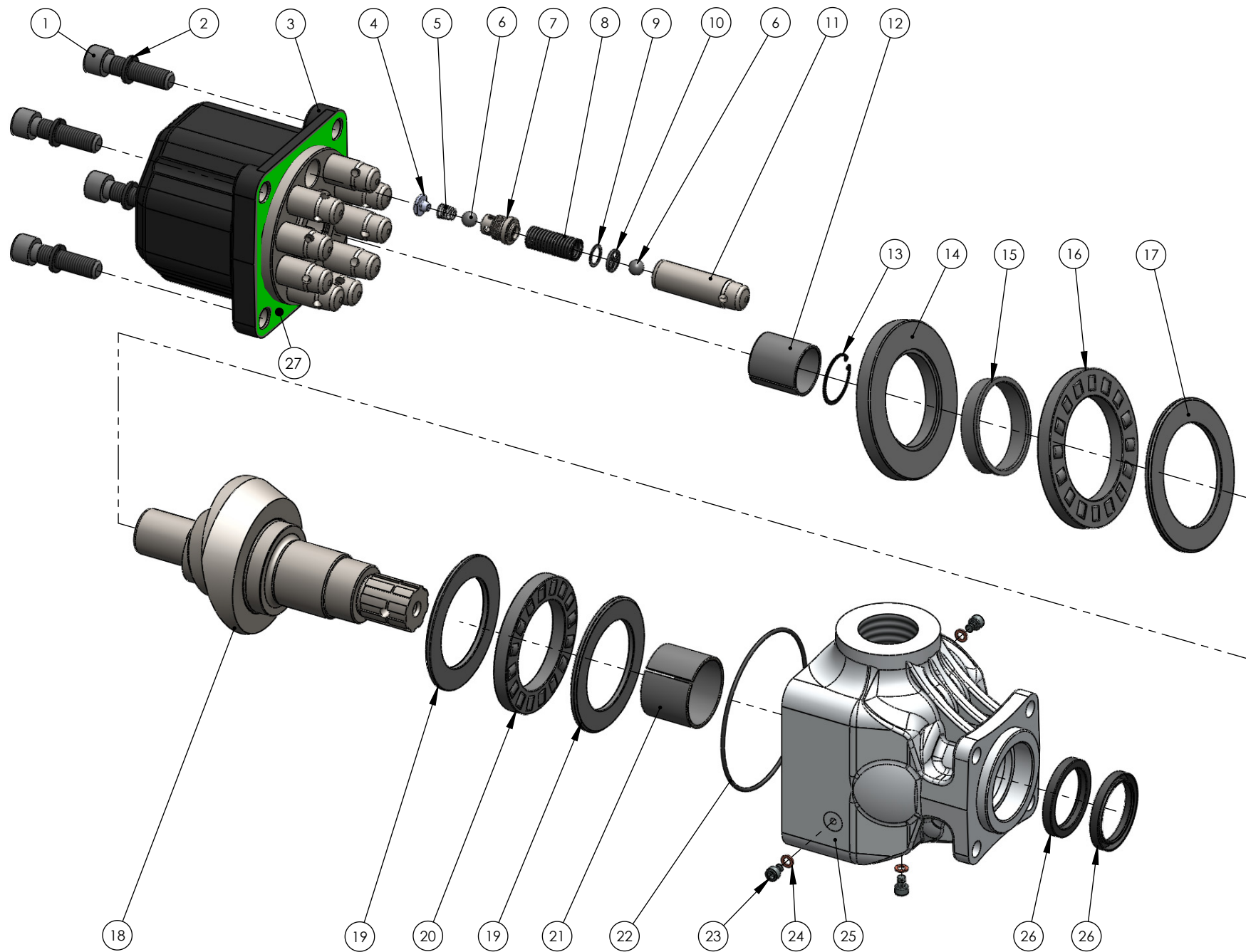
Тольятти (8482)63-91-07
Томск (3822)98-41-53
Тула (4872)33-79-87
Тюмень (3452)66-21-18
Ульяновск (8422)24-23-59
Улан-Удэ (3012)59-97-51
Уфа (347)229-48-12
Хабаровск (4212)92-98-04
Чебоксары (8352)28-53-07
Челябинск (351)202-03-61
Череповец (8202)49-02-64
Чита (3022)38-34-83
Якутск (4112)23-90-97
Ярославль (4852)69-52-93

Россия +7(495)268-04-70

Казахстан +7(7172)727-132

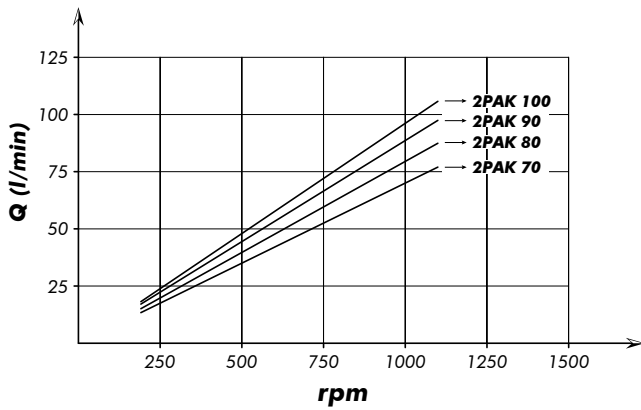
Киргизия +996(312)96-26-47

<https://omfb.nt-rt.ru/> || oba@nt-rt.ru

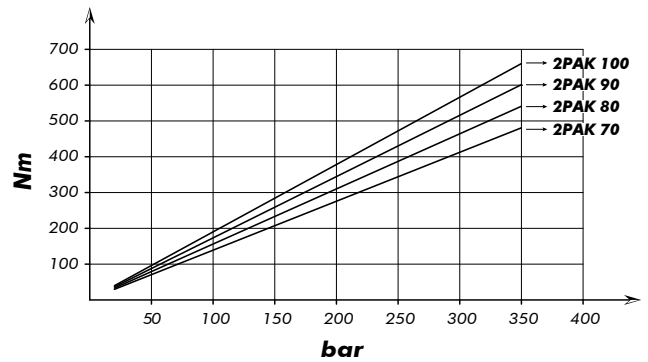


N°	70	80	90	100	Codice/P. Number	Descrizione/Description		Q.
1	•	•	•	•	50200600581	Vite TCE M14x55	Socket head capscrew	4
2	•	•	•	•	50100800072	Rondella elastica	Washer	4
3	•				51700200093	Corpo posteriore	Rear body	1
		•			51700200155			
			•		51700200173			
				•	51700200119			
4	• x8	• x9	• x10	• x10	54200100135	Corpo guida molla	Spring guide body	
5	• x8	• x9	• x10	• x10	51200400153	Molla conica	Tapered spring	
6	• x16	• x18	• x20	• x20	51000900116	Sfera grano 7/16"	Ball 7/16"	
7	• x8	• x9	• x10	• x10	54000000149	Tappo valvola mandata	Plug delivery valve	
8	• x8	• x9	• x10	• x10	51200501946	Molla ritorno pistone	Back piston spring	
9	• x8	• x9	• x10	• x10	53000000159	Distanziale	Spacer	
10	• x8	• x9	• x10	• x10	55000100209	Part. arresto sfera pompanti	Spacer sprine guide	
11	• x8	• x9	• x10		53200400044	Pistone pompante ø21	Pump piston ø21	
				• x10	53200400053	Pistone pompante ø22	Pump piston ø22	
12	•	•	•	•	53300400140	Boccola 35x39x40	Bushing 35x39x40	1
13	•	•	•	•	50100000196	Anello elastico	Circlip	1
14	•	•	•	•	51000600404	Ralla 70x119x12.5	Bearing 70x119x12.5	1
15	•	•	•	•	53300400257	Boccola 65x70x15	Bushing 65x70x15	1
16	•	•	•	•	51000680122	Gabbia assiale rulli 78x119x11	Axial roller cage 78x119x11	1
17	•	•	•	•	51000600397	Ralla 78x115x4.5	Bearing 78x115x14.5	1
18	•	•	•	•	52200500133	Albero	Shaft	1
19	•	•	•	•	51000600440	Ralla 70x104x4.5	Bearing 70x104x4.5	2
20	•	•	•	•	51000670106	Gabbia assiale rulli 70x106x11	Axial roller cage 70x106x11	1
21	•	•	•	•	53300400177	Boccola 50x55x40	Bushing 50x55x40	1
22	•	•	•	•	50600200676	Guarnizione OR	O-Ring	1
23	•	•	•	•	50200200405	Vite TCE M 6x10	Socket head capscrew	3
24	•	•	•	•	11600901022	Rondella in rame	Washer	3
25	•	•	•	•	51700200299	Corpo anteriore	Front housing	1
26	•	•	•	•	50600700706	Paraolio	Oil seal	2
27	•	•	•	•	50700000452	Guarnizione	Gasket	1

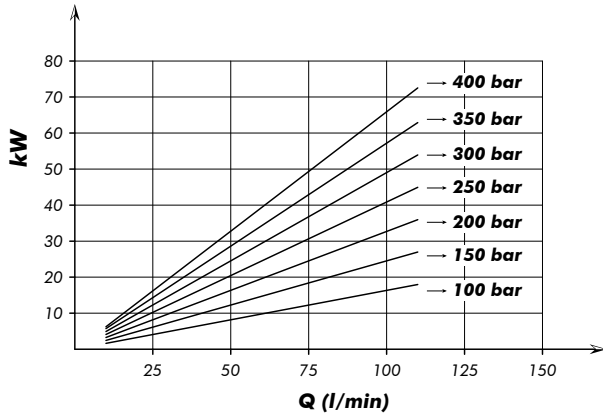
PORTATA
FLOW



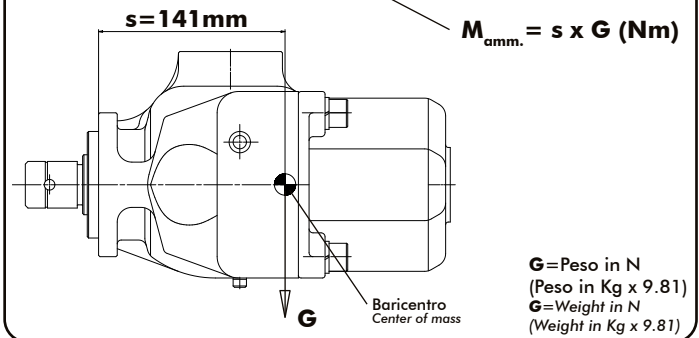
COPPIA ASSORBITA
DRIVE TORQUE



POTENZA ASSORBITA
POWER INPUT



MOMENTO PESO / MASS MOMENT



La quota "s" può essere considerata unica per tutte le cilindrate.
"s" dimension can be considered valid for all pump displacement.

Kit guarnizioni
Seal Kit

10890300036

POMPE A PISTONI FISSAGGIO 4 FORI-ISO DOPPIA MANDATA

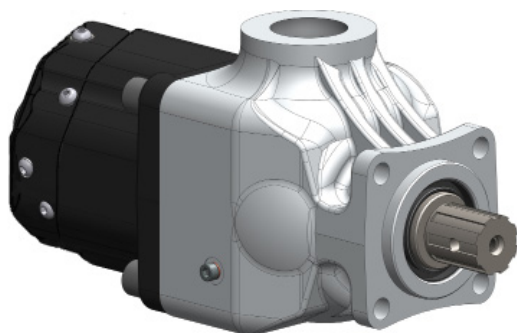
CODICE FAMIGLIA
FAMILY CODE

108008

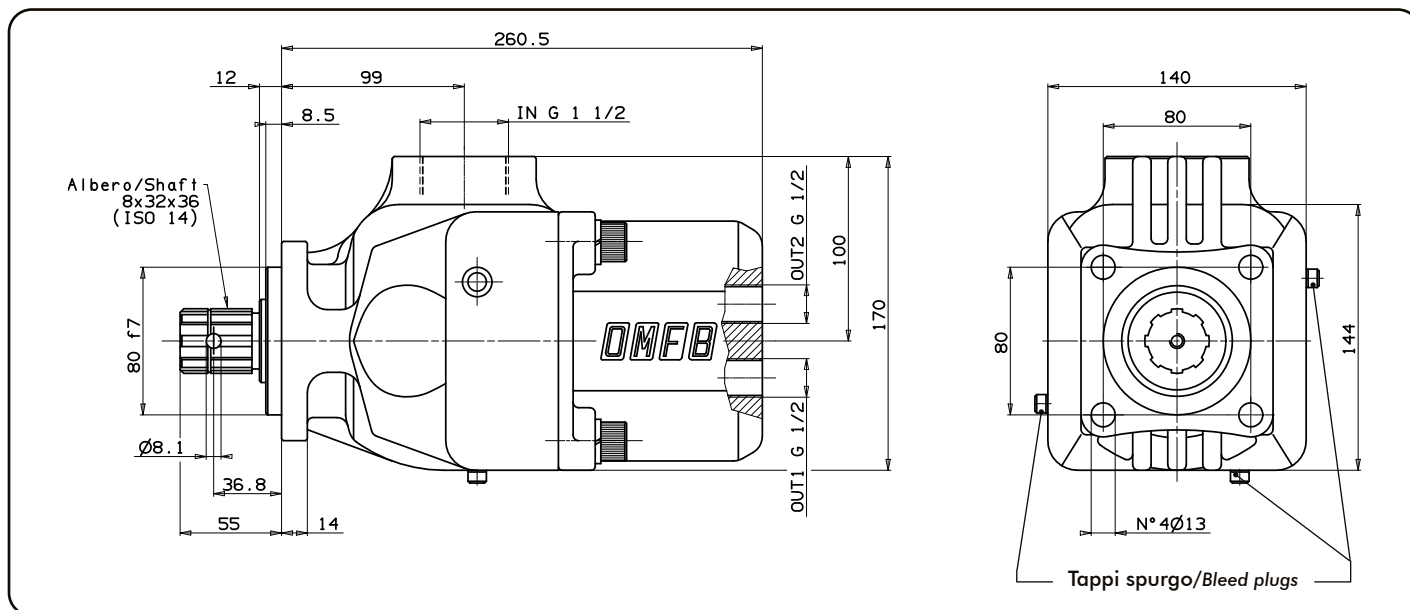
TWIN DELIVERY 4 HOLES-ISO
HYDRAULIC PISTON PUMPS

"2PAK"

99740060010

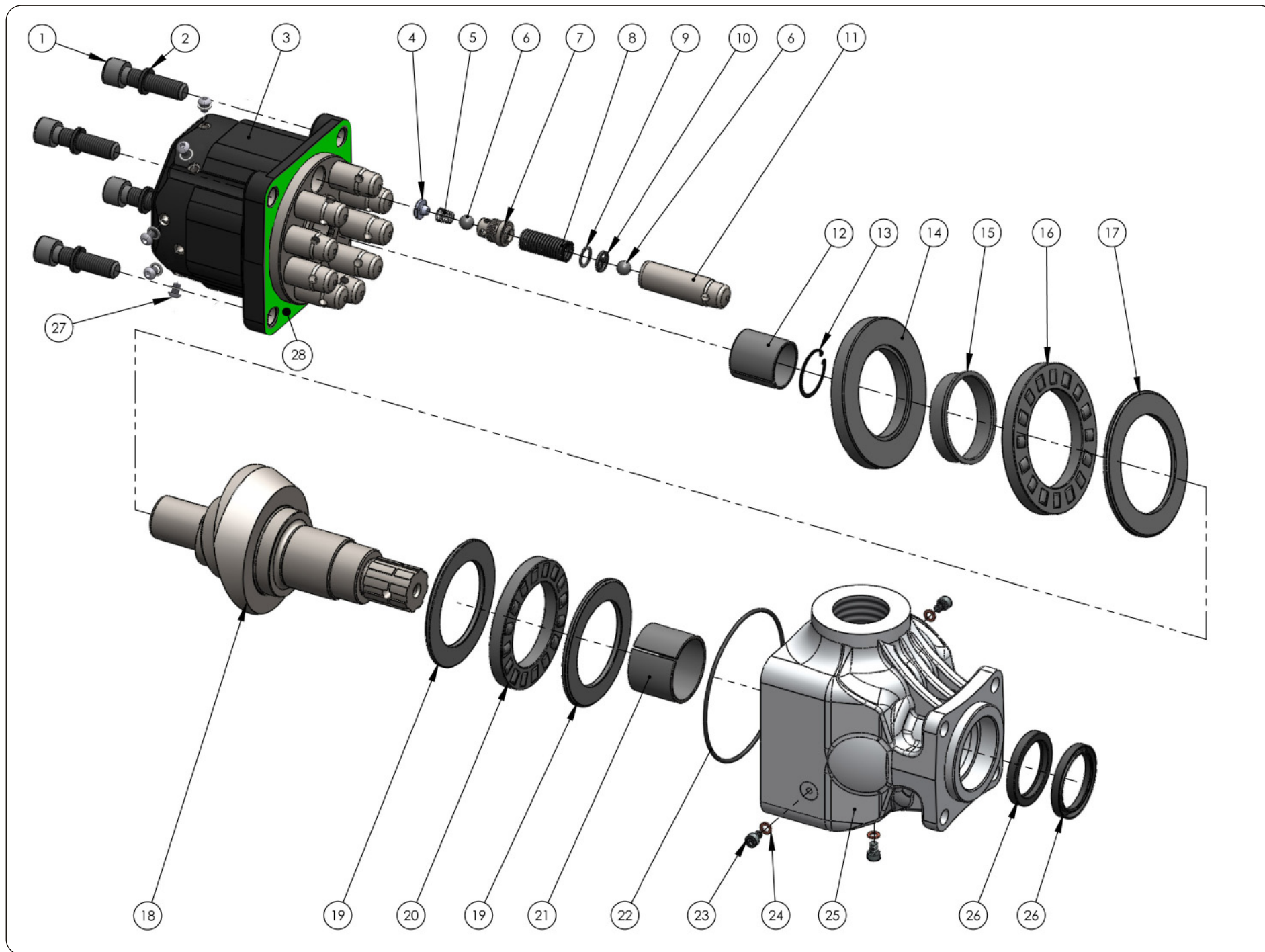


Fluido idraulico Fluid	Minerale o sintetico compatibile con guarnizioni: Mineral or synthetic compatible with the following seals: NBR, FKM, FPM, Nylon				
Viscosità cinematica consigliata Kinematic viscosity suggested	T media ambiente (°C) Average ambient temp. (°C)	< -10	-10 ÷ 10	10 ÷ 35	> 35
	VG (cSt = mm ² /s)	16	22	32	46
Viscosità cinematica ottimale di esercizio Optimale kinematic viscosity		VG= 10 cSt ÷ 100 cSt			
Viscosità cinematica max consentita all'avviamento Max kinematic viscosity suggested at the start-up		VG= 750 cSt			
Indice di viscosità consigliato Viscosity index suggested		VI > 100			
		Temperatura di esercizio Working temperature			
		-15°C ÷ 100°C			
Grado di filtrazione Oil filtering		> 200 bar: 10 µm < 200 bar: 25 µm			
Pres. di aspirazione Inlet pressure		0,85 ÷ 2 bar assoluti/absolut			
Senso di rotazione Pump rotation		Bidirezionale Bidirectional			
Verificare che la pompa sia posizionata almeno 100 mm sotto il livello minimo del serbatoio olio. Prima di avviare la pompa effettuare spurgo aria. Verify that pump is, at least, 100 mm under the minimum level of the tank. Before starting the pump bleed the air.					



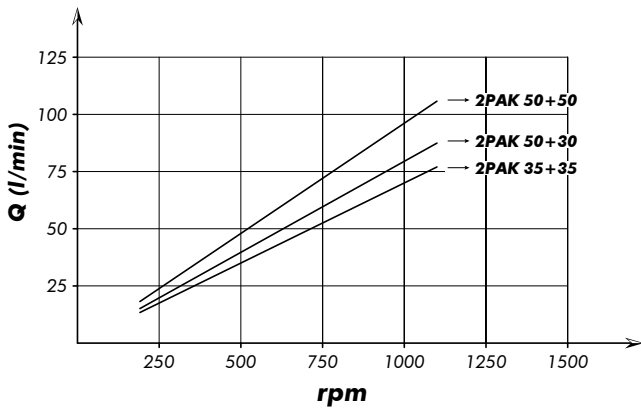
99710800810 Rev. AG

Tipo pompa Pump type	Codice Code	Cilindrata Displacement	OUT 1	OUT 2	Pressione Pressure		Velocità max Max speed	Peso Weight
					Massima Max	Picco Peak		
		cm ³ /rev	cm ³ /rev	cm ³ /rev	bar	bar	rpm	kg
2PAK-35+35	10800835351	35+35	35	35	300	350	1500	21,5
2PAK-50+30	10800850307	50+30	30	50				21,3
2PAK-50+50	10800850503	50+50	50	50				21,2

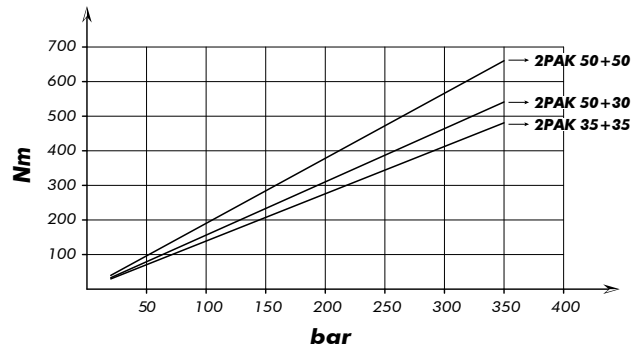


N°	35+35	50+30	50+50	Codice P. Number	Descrizione / Description	Q.
1	•	•	•	50200600581	Vite TCE M14x55 Socket head capscrew	4
2	•	•	•	50100800072	Rondella elastica Washer	4
3	•			51700235350	Corpo posteriore Rear body	1
		•		51700250306		
			•	51700250502		
4	• x8	• x9	• x10	54200100135	Corpo guida molla Spring guide body	
5	• x8	• x9	• x10	51200400153	Molla conica Tapered spring	
6	• x16	• x18	• x20	51000900116	Sfera grano 7/16" Ball 7/16"	
7	• x8	• x9	• x10	54000000149	Tappo valvola mandata Plug delivery valve	
8	• x8	• x9	• x10	51200501946	Molla ritorno pistone Back piston spring	
9	• x8	• x9	• x10	53000000159	Distanziale Spacer	
10	• x8	• x9	• x10	55000100209	Part. arresto sfera pompanti Spacer sprine guide	
11	• x8	• x9		53200400044	Pistone pompante ø21 Pump piston ø21	
			• x10	53200400053	Pistone pompante ø22 Pump piston ø22	
12	•	•	•	53300400140	Boccola 35x39x40 Bushing 35x39x40	1
13	•	•	•	50100000196	Anello elastico Circlip	1
14	•	•	•	51000600404	Ralla 70x119x12.5 Bearing 70x119x12.5	1
15	•	•	•	53300400257	Boccola 65x70x15 Bushing 65x70x15	1
16	•	•	•	51000680122	Gabbia assiale rulli 78x119x11 Axial roller cage 78x119x11	1
17	•	•	•	51000600397	Ralla 78x115x4.5 Bearing 78x115x4.5	1
18	•	•	•	52200500133	Albero Shaft	1
19	•	•	•	51000600440	Ralla 70x104x4.5 Bearing 70x104x4.5	2
20	•	•	•	51000670106	Gabbia assiale rulli 70x106x11 Axial roller cage 70x106x11	1
21	•	•	•	53300400177	Boccola 50x55x40 Bushing 50x55x40	1
22	•	•	•	50600200676	Guarnizione OR O-Ring	1
23	•	•	•	50200200405	Vite TCE M 6x10 Socket head capscrew	3
24	•	•	•	11600901022	Rondella in rame Washer	3
25	•	•	•	51700200299	Corpo anteriore Front housing	1
26	•	•	•	50600700706	Paraolio Oil seal	2
27	• x8	• x9	• x10	50210600106	Vite TBCE M6x 8 ISO 7380 Screw TBCE M6x8 ISO 7380	
				11600910067	Rondella acciaio/gomma x M6 Steel/rubber washer x M6	
28	•	•	•	50700000452	Guarnizione Gasket	1

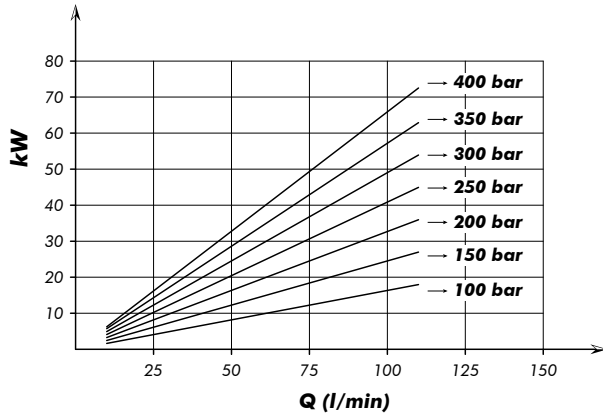
PORTATA
FLOW



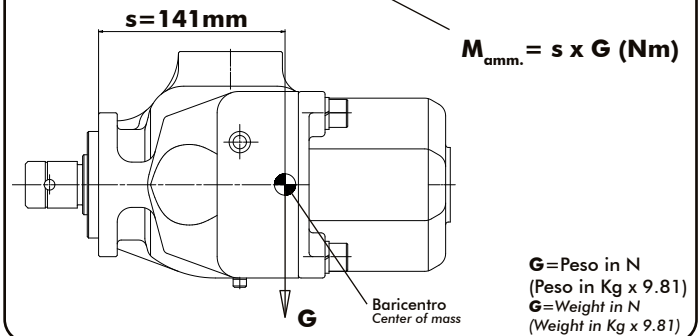
COPPIA ASSORBITA
DRIVE TORQUE



POTENZA ASSORBITA
POWER INPUT



MOMENTO PESO / MASS MOMENT



La quota "s" può essere considerata unica per tutte le cilindrato.
"s" dimension can be considered valid for all pump displacement.

Kit guarnizioni
Seal Kit

10890300036

Алматы (7273)495-231
Ангарск (3955)60-70-56
Архангельск (8182)63-90-72
Астрахань (8512)99-46-04
Барнаул (3852)73-04-60
Белгород (4722)40-23-64
Благовещенск (4162)22-76-07
Брянск (4832)59-03-52
Владивосток (423)249-28-31
Владикавказ (8672)28-90-48
Владимир (4922)49-43-18
Волгоград (844)278-03-48
Вологда (8172)26-41-59
Воронеж (473)204-51-73
Екатеринбург (343)384-55-89

Россия +7(495)268-04-70

Иваново (4932)77-34-06
Ижевск (3412)26-03-58
Иркутск (395)279-98-46
Казань (843)206-01-48
Калининград (4012)72-03-81
Калуга (4842)92-23-67
Кемерово (3842)65-04-62
Киров (8332)68-02-04
Коломна (4966)23-41-49
Кострома (4942)77-07-48
Краснодар (861)203-40-90
Красноярск (391)204-63-61
Курск (4712)77-13-04
Курган (3522)50-90-47
Липецк (4742)52-20-81

Магнитогорск (3519)55-03-13
Москва (495)268-04-70
Мурманск (8152)59-64-93
Набережные Челны (8552)20-53-41
Нижегород (831)429-08-12
Новокузнецк (3843)20-46-81
Новосибирск (383)227-86-73
Омск (3812)21-46-40
Орел (4862)44-53-42
Оренбург (3532)37-68-04
Пенза (8412)22-31-16
Петрозаводск (8142)55-98-37
Псков (8112)59-10-37
Пермь (342)205-81-47

Казахстан +7(7172)727-132

Ростов-на-Дону (863)308-18-15
Рязань (4912)46-61-64
Самара (846)206-03-16
Санкт-Петербург (812)309-46-40
Саратов (845)249-38-78
Севастополь (8692)22-31-93
Саранск (8342)22-96-24
Симферополь (3652)67-13-56
Смоленск (4812)29-41-54
Сочи (862)225-72-31
Ставрополь (8652)20-65-13
Сургут (3462)77-98-35
Сыктывкар (8212)25-95-17
Тамбов (4752)50-40-97
Тверь (4822)63-31-35

Киргизия +996(312)96-26-47

Тольятти (8482)63-91-07
Томск (3822)98-41-53
Тула (4872)33-79-87
Тюмень (3452)66-21-18
Ульяновск (8422)24-23-59
Улан-Удэ (3012)59-97-51
Уфа (347)229-48-12
Хабаровск (4212)92-98-04
Чебоксары (8352)28-53-07
Челябинск (351)202-03-61
Череповец (8202)49-02-64
Чита (3022)38-34-83
Якутск (4112)23-90-97
Ярославль (4852)69-52-93

<https://omfb.nt-rt.ru/> || oba@nt-rt.ru