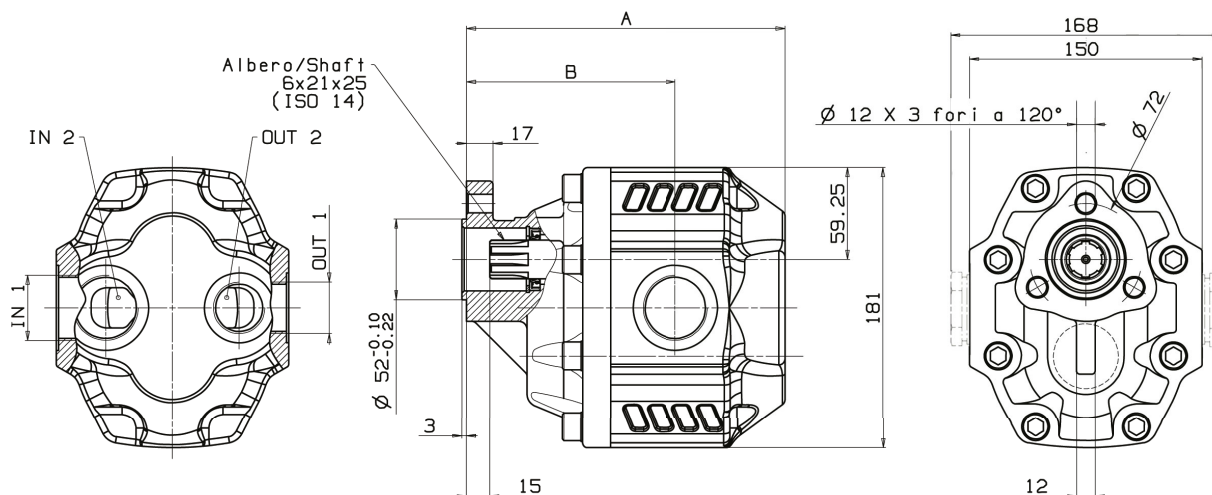


Fluido idraulico Fluid	Minerale o sintetico compatibile con guarnizioni: Mineral or synthetic compatible with the following seals: NBR, FKM, FPM, Nylon				
Viscosità cinematica consigliata Kinematic viscosity suggested	T media ambiente (°C) Average ambient temp. (°C)	< -10	-10÷10	10÷35	> 35
	VG (cSt = mm <sup>2</sup> /s)	22	32	46	68
Viscosità cinematica ottimale di esercizio Optimale kinematic viscosity			VG= 10 cSt ÷ 100 cSt		
Viscosità cinematica max consentita all'avviamento Max kinematic viscosity suggested at the start-up			VG= 750 cSt		
Indice di viscosità consigliato Viscosity index suggested		Temperatura di esercizio Working temperature			
VI > 100		-15°C +100°C			
Grado di filtrazione Oil filtering			> 200 bar: 10 µm < 200 bar: 25 µm		
Pressione di aspirazione Inlet pressure			-0,3 ÷ 2 bar		
Senso di rotazione Pump rotation			Unidirezionale Unidirectional		

**Ingombro / Dimensions**



**Dati tecnici / Technical data**

Tipo pompa Pump type	Rotazione Rotation		IN 1 IN 2	OUT 1 OUT 2	A	B	Peso Weight
	Destra / Right	Sinistra / Left					
			ISO 228	ISO 228	mm	mm	Kg
<b>NPGH-63</b>	10501200638	10501200647	G 1	G 3/4	186	121	17.5
<b>NPGH-73</b>	10501200736	10501200745			190	125	18.5
<b>NPGH-84</b>	10501200843	10501200852	G 1 1/4	G 1	194	125.5	19
<b>NPGH-100</b>	10501201002	10501201011			200	129	19.5
<b>NPGH-116</b>	10501201164	10501201173			206	135	20
<b>NPGH-133</b>	10501201333	10501201342	G 1 1/2		216	137	21
<b>NPGH-150</b>	10501201502	10501201511			221	142	21.5

Алматы (7273)495-231  
Ангарск (3955)60-70-56  
Архангельск (8182)63-90-72  
Астрахань (8512)99-46-04  
Барнаул (3852)73-04-60  
Белгород (4722)40-23-64  
Благовещенск (4162)22-76-07  
Брянск (4832)59-03-52  
Владивосток (423)249-28-31  
Владикавказ (8672)28-90-48  
Владимир (4922)49-43-18  
Волгоград (844)278-03-48  
Вологда (8172)26-41-59  
Воронеж (473)204-51-73  
Екатеринбург (343)384-55-89

Россия +7(495)268-04-70

Иваново (4932)77-34-06  
Ижевск (3412)26-03-58  
Иркутск (395)279-98-46  
Казань (843)206-01-48  
Калининград (4012)72-03-81  
Калуга (4842)92-23-67  
Кемерово (3842)65-04-62  
Киров (8332)68-02-04  
Коломна (4966)23-41-49  
Кострома (4942)77-07-48  
Краснодар (861)203-40-90  
Красноярск (391)204-63-61  
Курск (4712)77-13-04  
Курган (3522)50-90-47  
Липецк (4742)52-20-81

Магнитогорск (3519)55-03-13  
Москва (495)268-04-70  
Мурманск (8152)59-64-93  
Набережные Челны (8552)20-53-41  
Нижний Новгород (831)429-08-12  
Новокузнецк (3843)20-46-81  
Ноябрьск (3496)41-32-12  
Новосибирск (383)227-86-73  
Омск (3812)21-46-40  
Орел (4862)44-53-42  
Оренбург (3532)37-68-04  
Пенза (8412)22-31-16  
Петрозаводск (8142)55-98-37  
Псков (8112)59-10-37  
Пермь (342)205-81-47

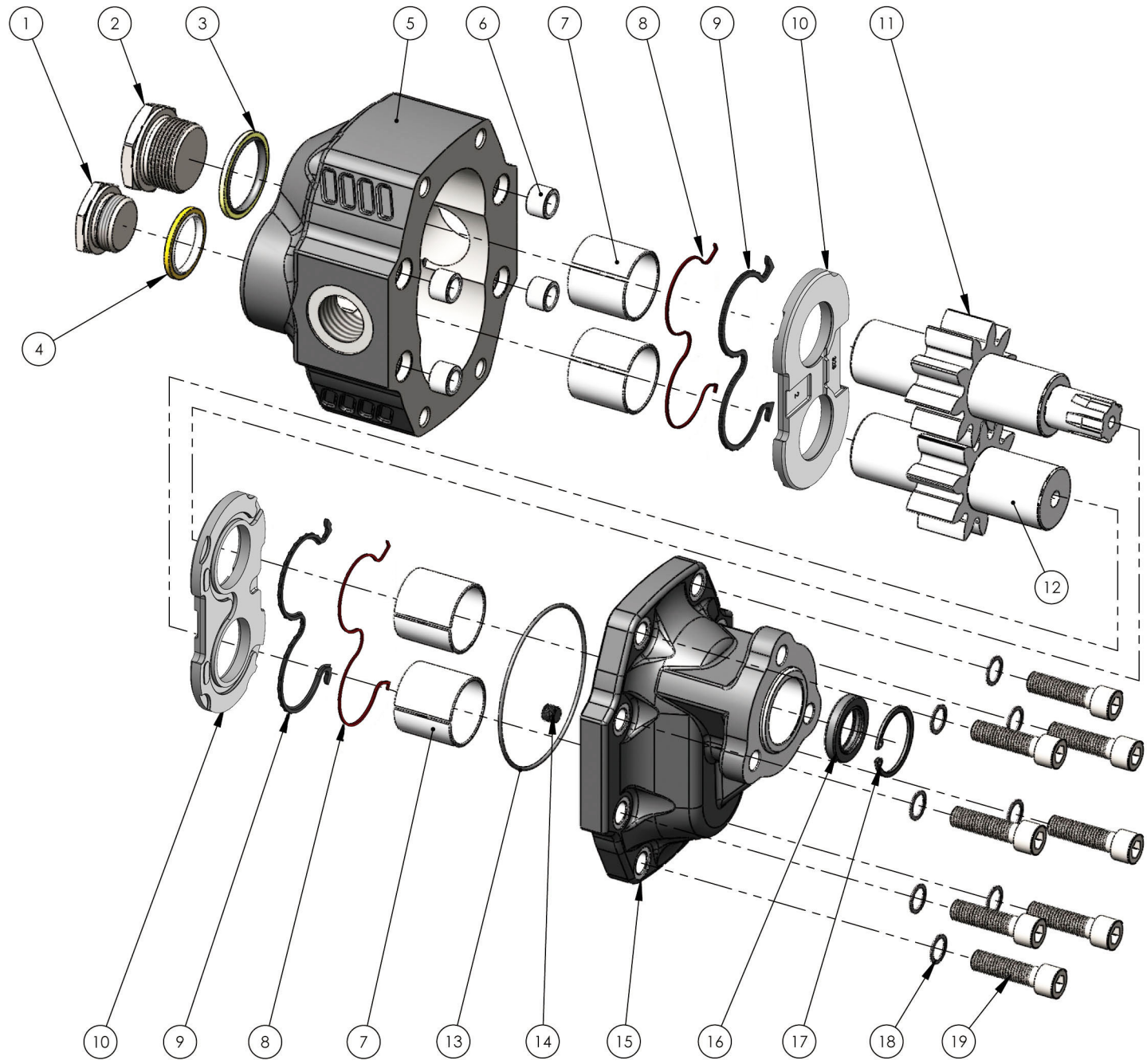
Казахстан +7(7172)727-132

Ростов-на-Дону (863)308-18-15  
Рязань (4912)46-61-64  
Самара (846)206-03-16  
Санкт-Петербург (812)309-46-40  
Саратов (845)249-38-78  
Севастополь (8692)22-31-93  
Саранск (8342)22-96-24  
Симферополь (3652)67-13-56  
Смоленск (4812)29-41-54  
Сочи (862)225-72-31  
Ставрополь (8652)20-65-13  
Сургут (3462)77-98-35  
Сыктывкар (8212)25-95-17  
Тамбов (4752)50-40-97  
Тверь (4822)63-31-35

Киргизия +996(312)96-26-47

Тольятти (8482)63-91-07  
Томск (3822)98-41-53  
Тула (4872)33-79-87  
Тюмень (3452)66-21-18  
Ульяновск (8422)24-23-59  
Улан-Удэ (3012)59-97-51  
Уфа (347)229-48-12  
Хабаровск (4212)92-98-04  
Чебоксары (8352)28-53-07  
Челябинск (351)202-03-61  
Череповец (8202)49-02-64  
Чита (3022)38-34-83  
Якутск (4112)23-90-97  
Ярославль (4852)69-52-93

Kit guarnizioni / Seal Kit	
8	1059000204
9	
13	
16	



N°	63	73	84	100	116	133	150	Codice/Code	Descrizione / Description	Q.	
1	•	•						54000200129	Tappo acciaio 3/4"	Steel plug 3/4"	1
			•	•	•	•	•	54000200138	Tappo acciaio 1"	Steel plug 1"	
2	•	•						54000200138	Tappo acciaio 1"	Steel plug 1"	1
			•	•	•			54000200165	Tappo acciaio 1"1/4	Steel plug 1"1/4	
						•	•	54000200174	Tappo acciaio 1"1/2	Steel plug 1"1/2	
3	•	•						11600911002	Rondella acciaio-gomma 1"	Steel-rubber washer 3/4"	1
			•	•	•			11600911137	Rondella acciaio-gomma 1"1/4	Steel-rubber washer 1"1/4	
						•	•	11600911208	Rondella acciaio-gomma 1"1/2	Steel-rubber washer 1"1/2	
4	•	•						11600910343	Rondella acciaio-gomma 3/4"	Steel-rubber washer 3/4"	1
			•	•	•	•	•	11600901102	Rondella acciaio-gomma 1"	Steel-rubber washer 1"	
5	•							51701000637	Corpo pompa	Gear housing	1
		•						51701000726			
			•					51701000842			
				•				51701001001			
					•			51701001163			
						•		51701001323			
						•	51701001501				
6	•	•	•	•	•	•	•	50100300291	Spine forate di centraggio 18x12.5	Pins 18x12.5	4
7	•	•	•	•	•	•	•	53300400088	Boccole autolub. 38x42x38	Bushing 38x42x38	4
8	•	•	•	•	•	•	•	50600001195	Guarnizione antiestrusione	Back-up ring	2
9	•	•	•	•	•	•	•	50600001186	Guarnizione per rasamento	Thrust plate seal	2
10	•	•	•	•	•	•	•	51001000328	Rasamento ad occhiale	Thrust plate	2
11	•							52302100631	Albero dentato conduttore	Drive shaft	1
		•						52302100720			
			•					52302100846			
				•				52302101005			
					•			52302101167			
						•		52302101327			
						•	52302101505				
12	•							52302000632	Albero dentato condotto	Driven shaft	1
		•						52302000721			
			•					52302000847			
				•				52302001006			
					•			52302001168			
						•		52302001328			
						•	52302001506				
13	•	•	•	•	•	•	•	50600001337	Guarnizione OR	O-Ring	1
14	•	•	•	•	•	•	•	50401000063	Grano conico 1/8"	Plug 1/8"	1
15	•	•	•	•	•	•	•	51800300143	Coperchio anteriore	Mounting cover	1
16	•	•	•	•	•	•	•	50602425401	Guarnizione paraolio	Oil seal	1
17	•	•	•	•	•	•	•	50100100373	Anello elastico	Circlip	1
18	•	•	•	•	•	•	•	50102000129	Rondella elastica	Washer	8
19	•	•	•	•	•	•	•	50200500573	Vite TCE M12x45	Screw M12x45	8

**CARATTERISTICHE TECNICHE DI FUNZIONAMENTO - TECHNICAL FEATURES**

Tipo pompa <i>Pump type</i>	Cilindrata <i>Displacement</i>	Pressione <i>Pressure</i>			Velocità max. continua <i>Max. continuous speed</i>	Velocità max. intermittente <i>Max. intermittent speed</i>	Velocità min. <i>Min. speed</i>
		P1	P2	P3			
		<i>cm³/rev</i>	<i>bar</i>	<i>bar</i>			
<b>NPGH-63</b>	63.70	290	315	325	1800	2700	300
<b>NPGH-73</b>	74.87	280	300	315			
<b>NPGH-84</b>	85.96	260	280	290			
<b>NPGH-100</b>	102.60	250	270	280	1500	2500	300
<b>NPGH-116</b>	119.24	240	260	270			
<b>NPGH-133</b>	135.88	220	250	260			
<b>NPGH-150</b>	149.75	180	210	220			

P1=Pressione max.continua  
P2=Pressione max. intermittente  
P3=Pressione max. di punta

*Max. continuous pressure*  
*Max. Intermittent pressure*  
*Max. peak pressure*

(100%)  
(20 sec.max.)  
(6 sec.max)

**IDENTIFICAZIONE ASPIRAZIONE/MANDATA / SUCTION/DELIVERY IDENTIFICATION:**

Rotazione antioraria, pompa sinistra <i>Anti-clockwise rotation, left pump</i>	Rotazione oraria, pompa destra <i>Clockwise rotation, right pump</i>
<p>Vista FRONTALE FRONT</p>	<p>Vista FRONTALE FRONT</p>

**MOMENTO PESO / MASS MOMENT**

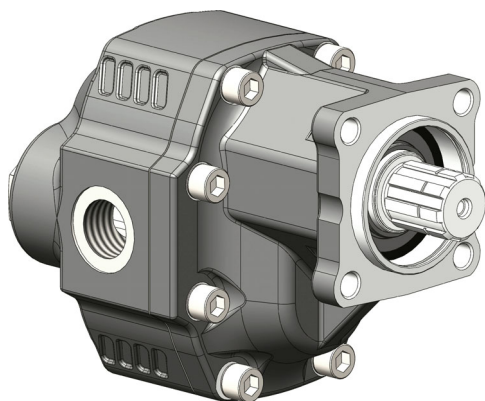
$M_{amm.} = s \times G \text{ (Nm)}$

Baricentro  
Center of mass

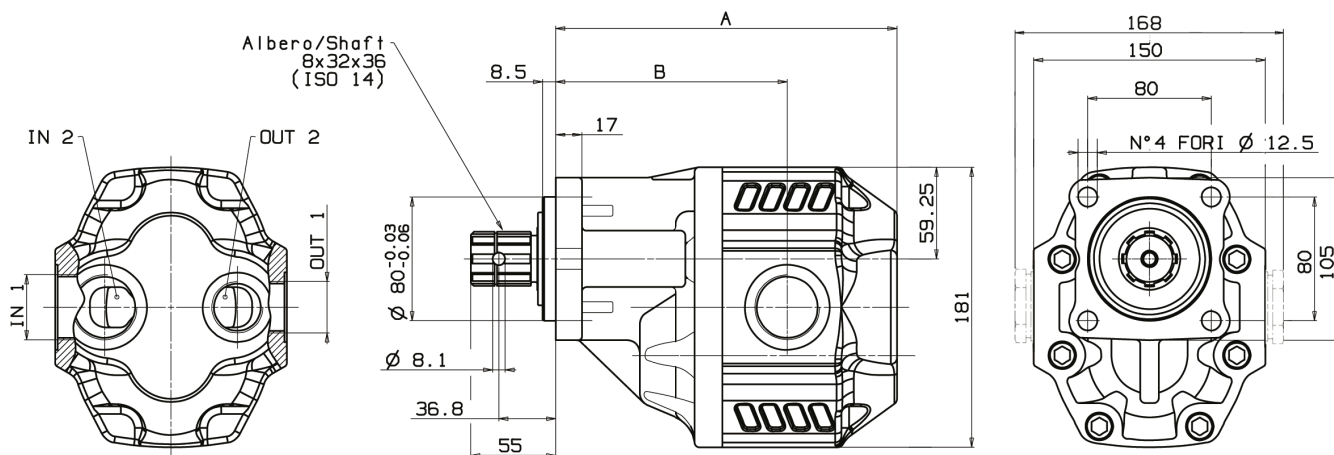
**G** = Peso in N (Peso in Kg x 9.81)  
**G** = Weight in N (Weight in Kg x 9.81)

Tipo pompa - Pump type	<b>S</b>
<b>NPGH-63</b>	112
<b>NPGH-73</b>	115
<b>NPGH-84</b>	116
<b>NPGH-100</b>	120
<b>NPGH-116</b>	121
<b>NPGH-133</b>	128
<b>NPGH-150</b>	131

**PER MODIFICARE IL SENSO DI ROTAZIONE VEDERE ISTRUZ. 99700200042**
**TO CHANGE THE DIRECTION OF ROTATION SEE INSTRUCTION 99700200042**

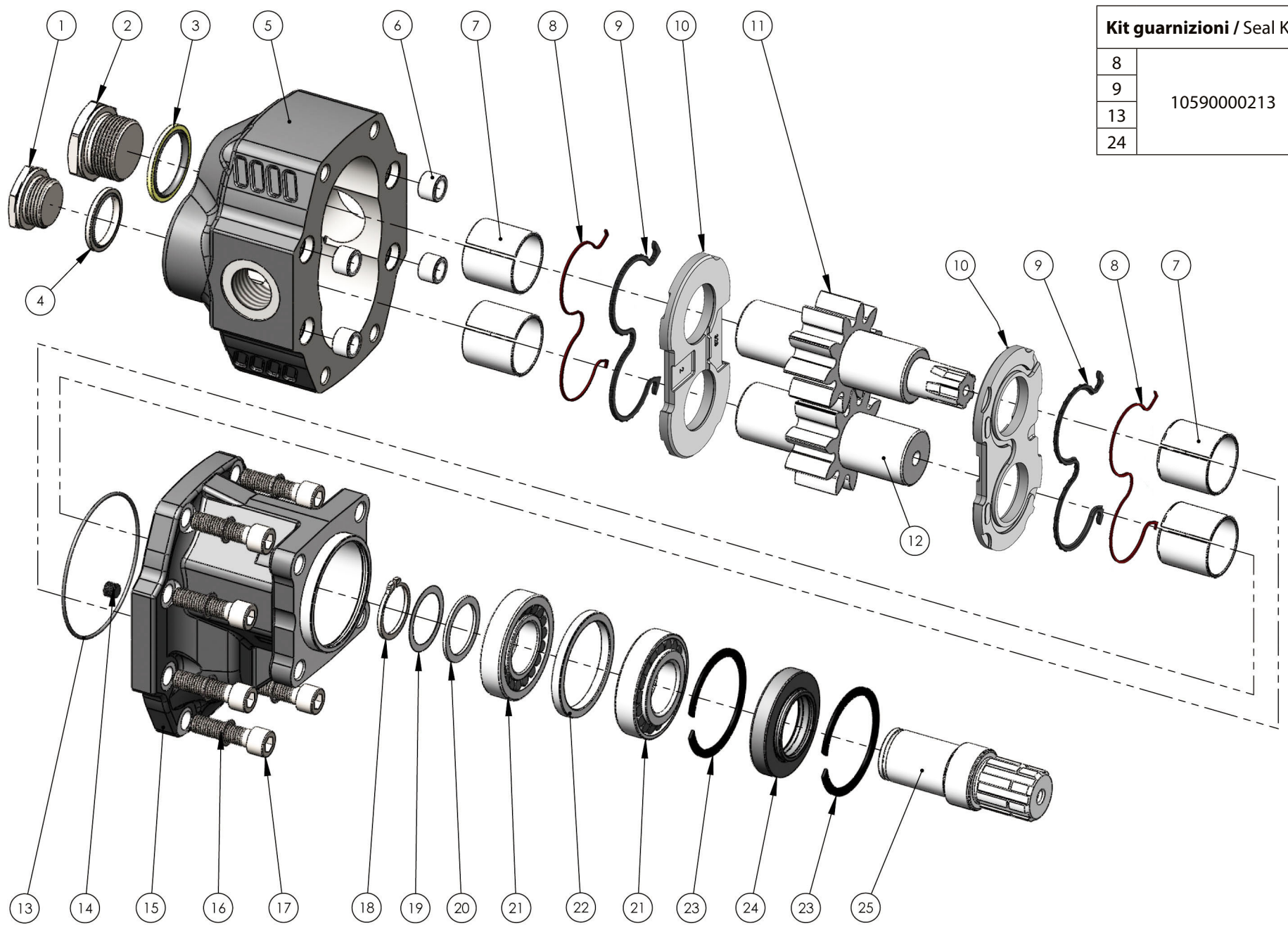


Fluido idraulico <i>Fluid</i>	Minerale o sintetico compatibile con guarnizioni: <i>Mineral or synthetic compatible with the following seals:</i> NBR, FKM, FPM, Nylon				
Viscosità cinematica consigliata <i>Kinematic viscosity suggested</i>	T media ambiente (°C) <i>Average ambient temp. (°C)</i>	< -10	-10÷10	10÷35	> 35
	VG (cSt = mm <sup>2</sup> /s)	22	32	46	68
Viscosità cinematica ottimale di esercizio <i>Optimale kinematic viscosity</i>			VG= 10 cSt ÷ 100 cSt		
Viscosità cinematica max consentita all'avviamento <i>Max kinematic viscosity suggested at the start-up</i>			VG= 750 cSt		
Indice di viscosità consigliato <i>Viscosity index suggested</i>		VI > 100	Temperatura di esercizio <i>Working temperature</i>		
			-15°C +100°C		
Grado di filtrazione <i>Oil filtering</i>			> 200 bar: 10 µm < 200 bar: 25 µm		
Pressione di aspirazione <i>Inlet pressure</i>			-0,3 ÷ 2 bar		
Senso di rotazione <i>Pump rotation</i>			Unidirezionale <i>Unidirectional</i>		

**Ingombro / Dimensions**

**Dati tecnici / Technical data**

Tipo pompa <i>Pump type</i>	Rotazione <i>Rotation</i>		IN 1 IN 2	OUT 1 OUT 2	A	B	Peso <i>Weight</i>
	Destra / Right	Sinistra / Left					
<b>NPGH-63</b>	10501210636	10501210645	ISO 228	ISO 228	mm	mm	Kg
<b>NPGH-73</b>	10501210734	10501210743	G 1	G 3/4	201.5	136.5	19
<b>NPGH-84</b>	10501210841	10501210850			205.5	140.5	21
<b>NPGH-100</b>	10501211000	10501211019	G 1 1/4	G 1	209.5	141	21.5
<b>NPGH-116</b>	10501211162	10501211171			215.5	144.5	22
<b>NPGH-133</b>	10501211331	10501211340			221.5	150.5	22.5
<b>NPGH-150</b>	10501211500	10501211519	G 1 1/2		231.5	152.5	23.5
					236.5	157.5	24

Kit guarnizioni / Seal Kit	
8	10590000213
9	
13	
24	



N°	63	73	84	100	116	133	150	Codice/Code	Descrizione / Description	Q.	
1	•	•						54000200129	Tappo acciaio 3/4"	Steel plug 3/4"	1
								54000200138	Tappo acciaio 1"	Steel plug 1"	
2	•	•	•	•	•	•	•	54000200138	Tappo acciaio 1"	Steel plug 1"	1
								54000200165	Tappo acciaio 1"1/4	Steel plug 1"1/4	
								54000200174	Tappo acciaio 1"1/2	Steel plug 1"1/2	
3	•	•	•	•	•	•	•	11600911002	Rondella acciaio-gomma 1"	Steel-rubber washer 1"	1
								11600911137	Rondella acciaio-gomma 1"1/4	Steel-rubber washer 1"1/4	
								11600911208	Rondella acciaio-gomma 1"1/2	Steel-rubber washer 1"1/2	
4	•	•	•	•	•	•	•	11600910343	Rondella acciaio-gomma 3/4"	Steel-rubber washer 3/4"	1
								11600901102	Rondella acciaio-gomma 1"	Steel-rubber washer 1"	
5	•	•	•	•	•	•	•	51701000637	Corpo pompa	Gear housing	1
								51701000726			
								51701000842			
								51701001001			
								51701001163			
								51701001323			
51701001501											
6	•	•	•	•	•	•	•	50100300291	Spine forate di centraggio 18x12.5	Pins 18x12.5	4
7	•	•	•	•	•	•	•	53300400088	Boccole autolub. 38x42x38	Bushing 38x42x38	4
8	•	•	•	•	•	•	•	50600001195	Guarnizione antiestrusione	Back-up ring	2
9	•	•	•	•	•	•	•	50600001186	Guarnizione per rasamento	Thrust plate seal	2
10	•	•	•	•	•	•	•	51001000328	Rasamento ad occhiale	Thrust plate	2
11	•	•	•	•	•	•	•	52302100631	Albero dentato conduttore	Drive shaft	1
								52302100720			
								52302100846			
								52302101005			
								52302101167			
								52302101327			
52302101505											
12	•	•	•	•	•	•	•	52302000632	Albero dentato condotto	Driven shaft	1
								52302000721			
								52302000847			
								52302001006			
								52302001168			
								52302001328			
52302001506											
13	•	•	•	•	•	•	•	50600001337	Guarnizione OR	O-Ring	1
14	•	•	•	•	•	•	•	50401000063	Grano conico 1/8"	Plug 1/8"	1
15	•	•	•	•	•	•	•	51800300161	Coperchio anteriore	Mounting cover	1
16	•	•	•	•	•	•	•	50102000129	Rondella elastica	Washer	8
17	•	•	•	•	•	•	•	50200500573	Vite TCE M12x45	Screw M12x45	8
18	•	•	•	•	•	•	•	50100001355	Anello seeger	Seeger ring	1
19	•	•	•	•	•	•	•	52900700226	Rondella speciale 45x30x0,2	Special washer 45x30x0,2	1
20	•	•	•	•	•	•	•	52900700208	Rondella speciale 45x35x2	Special washer 45x35x2	1
21	•	•	•	•	•	•	•	51000200211	Cuscinetto rulli conici 35x72x18.25	Tapered roller bearing 35x72x18,25	2
22	•	•	•	•	•	•	•	53000100783	Distanziale 60x72x6,75	Spacer 60x72x6,75	1
23	•	•	•	•	•	•	•	50100002729	Anello elastico	Circlip	2
24	•	•	•	•	•	•	•	50600842723	Guarnizione paraolio	Oil seal	1

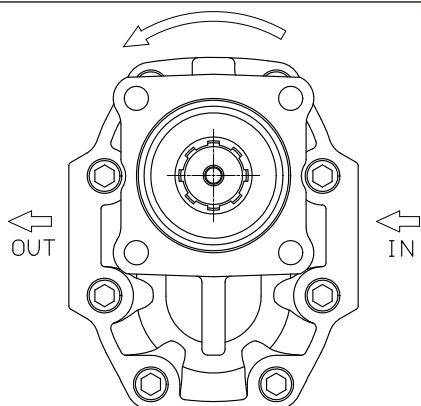
**CARATTERISTICHE TECNICHE DI FUNZIONAMENTO - TECHNICAL FEATURES**

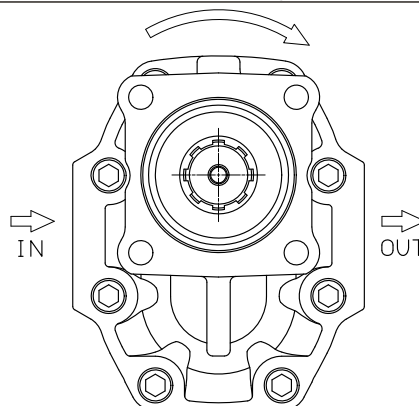
Tipo pompa Pump type	Cilindrata Displacement  cm <sup>3</sup> /rev	Pressione Pressure			Velocità max. continua Max. continuous speed  rpm	Velocità max. intermittente Max. intermittent speed  rpm	Velocità min. Min. speed  rpm
		P1	P2	P3			
		bar	bar	bar			
<b>NPGH-63</b>	63.70	290	315	325	1800	2700	300
<b>NPGH-73</b>	74.87	280	300	315			
<b>NPGH-84</b>	85.96	260	280	290			
<b>NPGH-100</b>	102.60	250	270	280			
<b>NPGH-116</b>	119.24	240	260	270	1500	2500	300
<b>NPGH-133</b>	135.88	220	250	260			
<b>NPGH-150</b>	149.75	180	210	220			

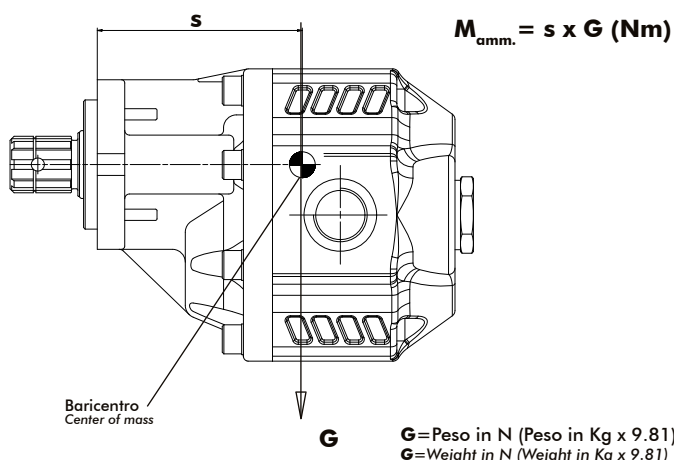
P1=Pressione max.continua  
 P2=Pressione max. intermittente  
 P3=Pressione max. di punta

Max. continuous pressure  
 Max. Intermittent pressure  
 Max. peak pressure

(100%)  
 (20 sec.max.)  
 (6 sec.max)

**IDENTIFICAZIONE ASPIRAZIONE/MANDATA / SUCTION/DELIVERY IDENTIFICATION:**
**Rotazione antioraria, pompa sinistra**  
*Anti-clockwise rotation, left pump*

 Vista FRONTALE  
 FRONT

**Rotazione oraria, pompa destra**  
*Clockwise rotation, right pump*

 Vista FRONTALE  
 FRONT

**MOMENTO PESO / MASS MOMENT**


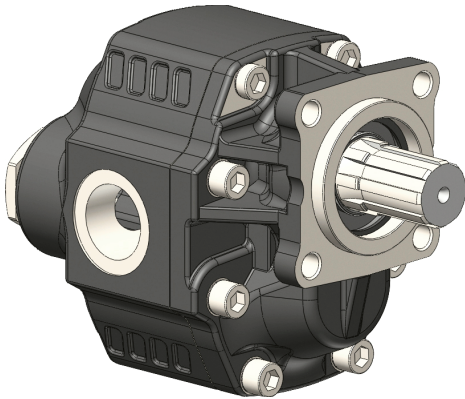
Tipo pompa - Pump type	<b>S</b>
<b>NPGH-63</b>	116
<b>NPGH-73</b>	119
<b>NPGH-84</b>	122
<b>NPGH-100</b>	126
<b>NPGH-116</b>	129
<b>NPGH-133</b>	133
<b>NPGH-150</b>	138

**PER MODIFICARE IL SENSO DI ROTAZIONE VEDERE ISTRUZ. 99700200042**

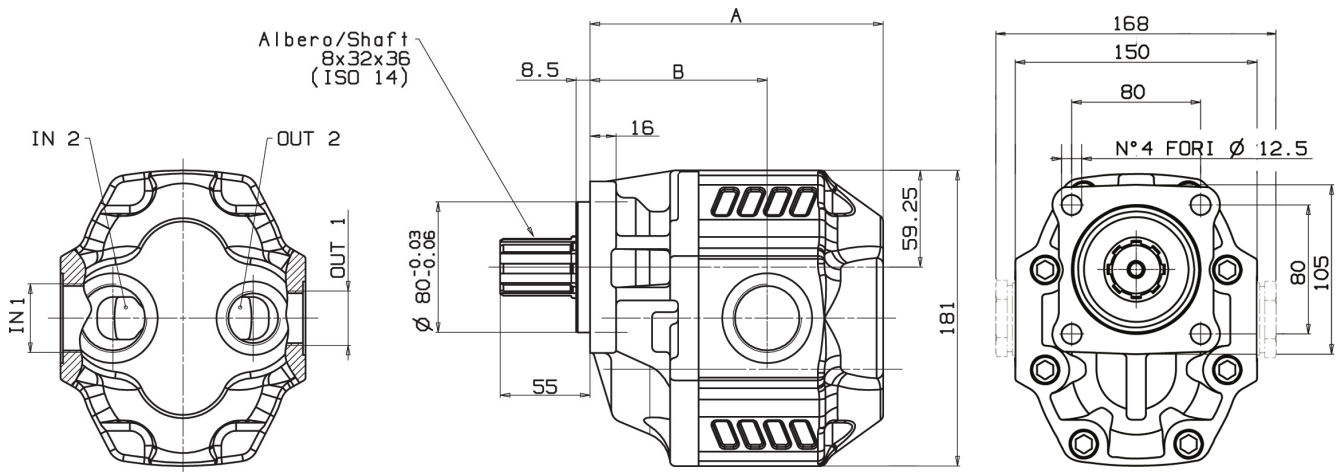
TO CHANGE THE DIRECTION OF ROTATION SEE INSTRUCTION 99700200042

**LA POMPA E' MUNITA DI PARAOLIO BIDIREZIONALE E DI CUSCINETTI A RULLI CONICI SULL'ALBERO DI USCITA**  
 THE PUMP IS COMPLETE WITH DOUBLE OIL-SEAL AND TAPERED ROLLER BEARING ON THE OUTPUT SHAFT





Fluido idraulico <i>Fluid</i>	Minerale o sintetico compatibile con guarnizioni: <i>Mineral or synthetic compatible with the following seals:</i> NBR, FKM, FPM, Nylon				
Viscosità cinematica consigliata <i>Kinematic viscosity suggested</i>	T media ambiente (°C) <i>Average ambient temp. (°C)</i>	< -10	-10÷10	10÷35	> 35
	VG (cSt = mm <sup>2</sup> /s)	22	32	46	68
Viscosità cinematica ottimale di esercizio <i>Optimale kinematic viscosity</i>			VG= 10 cSt ÷ 100 cSt		
Viscosità cinematica max consentita all'avviamento <i>Max kinematic viscosity suggested at the start-up</i>			VG= 750 cSt		
Indice di viscosità consigliato <i>Viscosity index suggested</i>		VI > 100	Temperatura di esercizio <i>Working temperature</i>		
			-15°C +100°C		
Grado di filtrazione <i>Oil filtering</i>			> 200 bar: 10 µm < 200 bar: 25 µm		
Pressione di aspirazione <i>Inlet pressure</i>			-0,3 ÷ 2 bar		
Senso di rotazione <i>Pump rotation</i>			Unidirezionale <i>Unidirectional</i>		

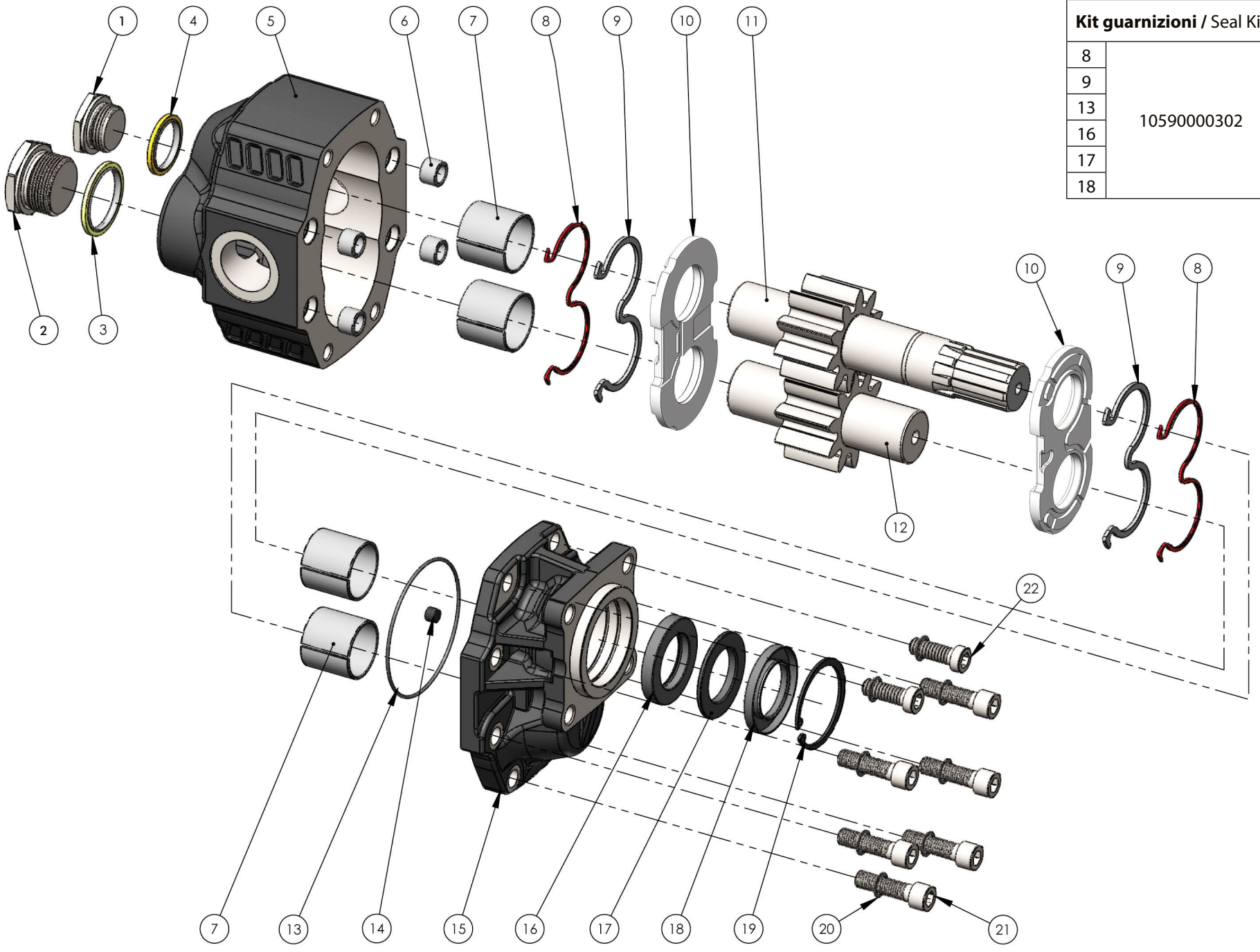
**Ingombro / Dimensions**

**Dati tecnici / Technical data**

Tipo pompa <i>Pump type</i>	Rotazione <i>Rotation</i>		IN 1 IN 2	OUT 1 OUT 2	A	B	Peso <i>Weight</i>
	<i>Destra / Right</i>	<i>Sinistra / Left</i>					
<b>NPGH-63</b>	10504000634	10504000643	ISO 228	ISO 228	mm	mm	Kg
<b>NPGH-73</b>	10504000723	10504000732	G 1	G 3/4	160	95	18
<b>NPGH-84</b>	10504000849	10504000858	G 1 1/4	G 1	164	99	20
<b>NPGH-100</b>	10504001008	10504001017			168	99.5	20.4
<b>NPGH-116</b>	10504001160	10504001179	G 1 1/2	G 1	174	103	20.8
<b>NPGH-133</b>	10504001320	10504001339			180	109	21.3
<b>NPGH-150</b>	10504001508	10504001517			190	111	22.3
					195	116	22.7


**POMPE DA NON UTILIZZARE CON CARICHI ASSIALI E RADIALI SULL'ALBERO**

NO AXIAL AND RADIAL LOADS ALLOWED ON PUMP SHAFT

Kit guarnizioni / Seal Kit	
8	1059000302
9	
13	
16	
17	
18	



N°	63	73	84	100	116	133	150	Codice/Code	Descrizione / Description	Q.	
1	.	.						54000200129	Tappo acciaio 3/4"	Steel plug 3/4"	1
			.	.	.	.	.	54000200138	Tappo acciaio 1"	Steel plug 1"	
2	.	.						54000200138	Tappo acciaio 1"	Steel plug 1"	1
			.	.	.			54000200165	Tappo acciaio 1"1/4	Steel plug 1"1/4	
						.	.	54000200174	Tappo acciaio 1"1/2	Steel plug 1"1/2	
3	.	.						11600911002	Rondella acciaio-gomma 1"	Steel-rubber washer 1"	1
			.	.	.			11600911137	Rondella acciaio-gomma 1"1/4	Steel-rubber washer 1"1/4	
						.	.	11600911208	Rondella acciaio-gomma 1"1/2	Steel-rubber washer 1"1/2	
4	.	.						11600910343	Rondella acciaio-gomma 3/4"	Steel-rubber washer 3/4"	1
			.	.	.	.	.	11600911002	Rondella acciaio-gomma 1"	Steel-rubber washer 1"	
5	.							51701000637	Corpo pompa	Gear housing	1
		.						51701000726			
			.					51701000842			
				.				51701001001			
					.			51701001163			
						.		51701001323			
						.	51701001501				
6	.	.	.	.	.	.	.	50100300291	Spine forate di centraggio 18x12.5	Pins 18x12.5	4
7	.	.	.	.	.	.	.	53300400088	Boccole autolub. 38x42x38	Bushing 38x42x38	4
8	.	.	.	.	.	.	.	50600001195	Guarnizione antiestrusione	Back-up ring	2
9	.	.	.	.	.	.	.	50600001186	Guarnizione per rasamento	Thrust plate seal	2
10	.	.	.	.	.	.	.	51001000328	Rasamento ad occhiale	Thrust plate	2
11	.							52302800063	Albero dentato conduttore	Drive shaft	1
		.						52302800072			
			.					52302800084			
				.				52302800100			
					.			52302800116			
						.		52302800132			
						.	52302800150				
12	.							52302000632	Albero dentato condotto	Driven shaft	1
		.						52302000721			
			.					52302000847			
				.				52302001006			
					.			52302001168			
						.		52302001328			
						.	52302001506				
13	.	.	.	.	.	.	.	50600001337	Guarnizione OR	O-Ring	1
14	.	.	.	.	.	.	.	50401000063	Grano conico 1/8"	Plug 1/8"	1
15	.	.	.	.	.	.	.	51800300216	Coperchio anteriore	Mounting cover	1
16	.	.	.	.	.	.	.	50602138624	Guarnizione paraolio	Oil seal	1
17	.	.	.	.	.	.	.	50602238623	Anello schermo paraolio	Oil seal guard ring	1
18	.	.	.	.	.	.	.	50600738627	Guarnizione paraolio	Oil seal	1
19	.	.	.	.	.	.	.	50100100588	Anello seeger	Seeger ring	1
20	.	.	.	.	.	.	.	50102000129	Rondella elastica	Washer	8
21	.	.	.	.	.	.	.	50200500573	Vite TCE M12x45	Screw M12x45	6
22	.	.	.	.	.	.	.	50200000265	Vite TCE M12x35	Screw M12x35	2

**CARATTERISTICHE TECNICHE DI FUNZIONAMENTO - TECHNICAL FEATURES**

Tipo pompa Pump type	Cilindrata Displacement  cm <sup>3</sup> /rev	Pressione Pressure			Velocità max. continua Max. continuous speed  rpm	Velocità max. intermittente Max. intermittent speed  rpm	Velocità min. Min. speed  rpm
		P1	P2	P3			
		bar	bar	bar			
<b>NPGH-63</b>	63.70	290	315	325	1800	300	
<b>NPGH-73</b>	74.87	280	300	315			
<b>NPGH-84</b>	85.96	260	280	290			
<b>NPGH-100</b>	102.60	250	270	280			
<b>NPGH-116</b>	119.24	240	260	270			
<b>NPGH-133</b>	135.88	220	250	260	1500	2500	
<b>NPGH-150</b>	149.75	180	210	220			

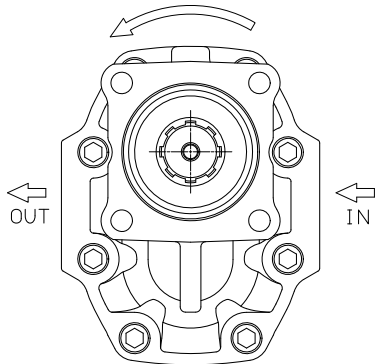
P1=Pressione max.continua  
P2=Pressione max. intermittente  
P3=Pressione max. di punta

Max. continuous pressure  
Max. Intermittent pressure  
Max. peak pressure

(100%)  
(20 sec.max.)  
(6 sec.max)

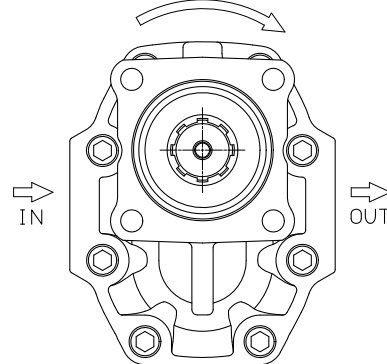
**IDENTIFICAZIONE ASPIRAZIONE/MANDATA / SUCTION/DELIVERY IDENTIFICATION:**

**Rotazione antioraria, pompa sinistra**  
Anti-clockwise rotation, left pump



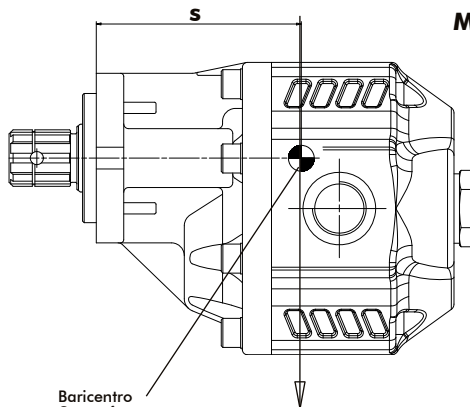
Vista FRONTALE  
FRONT

**Rotazione oraria, pompa destra**  
Clockwise rotation, right pump



Vista FRONTALE  
FRONT

**MOMENTO PESO / MASS MOMENT**



$$M_{amm.} = s \times G \text{ (Nm)}$$

Baricentro  
Center of mass

**G**

**G**=Peso in N (Peso in Kg x 9.81)  
**G**=Weight in N (Weight in Kg x 9.81)

Tipo pompa - Pump type	<b>S</b>
<b>NPGH-63</b>	87
<b>NPGH-73</b>	89
<b>NPGH-84</b>	91
<b>NPGH-100</b>	94
<b>NPGH-116</b>	97
<b>NPGH-133</b>	101
<b>NPGH-150</b>	104

Алматы (7273)495-231  
Ангарск (3955)60-70-56  
Архангельск (8182)63-90-72  
Астрахань (8512)99-46-04  
Барнаул (3852)73-04-60  
Белгород (4722)40-23-64  
Благовещенск (4162)22-76-07  
Брянск (4832)59-03-52  
Владивосток (423)249-28-31  
Владикавказ (8672)28-90-48  
Владимир (4922)49-43-18  
Волгоград (844)278-03-48  
Вологда (8172)26-41-59  
Воронеж (473)204-51-73  
Екатеринбург (343)384-55-89

Иваново (4932)77-34-06  
Ижевск (3412)26-03-58  
Иркутск (395)279-98-46  
Казань (843)206-01-48  
Калининград (4012)72-03-81  
Калуга (4842)92-23-67  
Кемерово (3842)65-04-62  
Киров (8332)68-02-04  
Коломна (4966)23-41-49  
Кострома (4942)77-07-48  
Краснодар (861)203-40-90  
Красноярск (391)204-63-61  
Курск (4712)77-13-04  
Курган (3522)50-90-47  
Липецк (4742)52-20-81

Магнитогорск (3519)55-03-13  
Москва (495)268-04-70  
Мурманск (8152)59-64-93  
Набережные Челны (8552)20-53-41  
Нижний Новгород (831)429-08-12  
Новокузнецк (3843)20-46-81  
Ноябрьск (3496)41-32-12  
Новосибирск (383)227-86-73  
Омск (3812)21-46-40  
Орел (4862)44-53-42  
Оренбург (3532)37-68-04  
Пенза (8412)22-31-16  
Петрозаводск (8142)55-98-37  
Псков (8112)59-10-37  
Пермь (342)205-81-47

Ростов-на-Дону (863)308-18-15  
Рязань (4912)46-61-64  
Самара (846)206-03-16  
Санкт-Петербург (812)309-46-40  
Саратов (845)249-38-78  
Севастополь (8692)22-31-93  
Саранск (8342)22-96-24  
Симферополь (3652)67-13-56  
Смоленск (4812)29-41-54  
Сочи (862)225-72-31  
Ставрополь (8652)20-65-13  
Сургут (3462)77-98-35  
Сыктывкар (8212)25-95-17  
Тамбов (4752)50-40-97  
Тверь (4822)63-31-35

Тольятти (8482)63-91-07  
Томск (3822)98-41-53  
Тула (4872)33-79-87  
Тюмень (3452)66-21-18  
Ульяновск (8422)24-23-59  
Улан-Удэ (3012)59-97-51  
Уфа (347)229-48-12  
Хабаровск (4212)92-98-04  
Чебоксары (8352)28-53-07  
Челябинск (351)202-03-61  
Череповец (8202)49-02-64  
Чита (3022)38-34-83  
Якутск (4112)23-90-97  
Ярославль (4852)69-52-93

Россия +7(495)268-04-70

Казахстан +7(7172)727-132

Киргизия +996(312)96-26-47