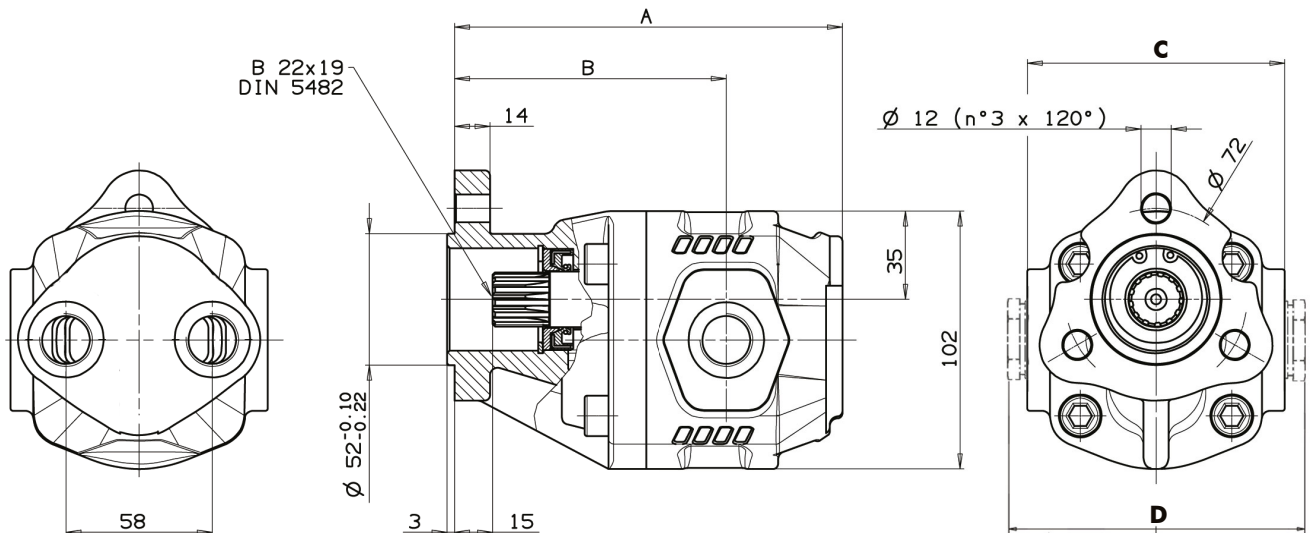


Fluido idraulico <i>Fluid</i>	Minerale o sintetico compatibile con guarnizioni: <i>Mineral or synthetic compatible with the following seals:</i> NBR, FKM, FPM, Nylon				
Viscosità cinematica consigliata <i>Kinematic viscosity suggested</i>	T media ambiente (°C) <i>Average ambient temp. (°C)</i>	< -10	-10÷10	10÷35	> 35
	VG (cSt = mm ² /s)	22	32	46	68
Viscosità cinematica ottimale di esercizio <i>Optimale kinematic viscosity</i>			VG= 10 cSt ÷ 100 cSt		
Viscosità cinematica max consentita all'avviamento <i>Max kinematic viscosity suggested at the start-up</i>			VG= 750 cSt		
Indice di viscosità consigliato <i>Viscosity index suggested</i>		VI > 100	Temperatura di esercizio <i>Working temperature</i>		
			-15°C +100°C		
Grado di filtrazione <i>Oil filtering</i>			> 200 bar: 10 µm < 200 bar: 25 µm		
Pressione di aspirazione / Inlet pressure			-0,3 ÷ 2 bar		
Senso di rotazione / Pump rotation			Bidirezionale/Bidirectional		

Ingombro / Dimensions

Dati tecnici / Technical data

Tipo pompa <i>Pump type</i>	Codice ordinazione <i>Order code</i>	IN	OUT	A	B	C	D	Peso <i>Weight</i>
		ISO 228	ISO 228	mm	mm	mm	mm	
NPLH-6	10500410065	G 1/2	G 1/2	132	98.5	98	116	4,7
NPLH-10	10500410109			138	104.5			5
NPLH-12	10500410127			144	98			5,1
NPLH-14	10500410145			147,5	101.5	5,2		
NPLH-16	10500410163			154	108	5,3		
NPLH-20	10500410207			154	108	5,7		
NPLH-25	10500410252	G 3/4	G 3/4	162	113	102	120	5,9
NPLH-32	10500410323			173	124			6,3
NPLH-40	10500410403			188	135			7,6

Алматы (7273)495-231
Ангарск (3955)60-70-56
Архангельск (8182)63-90-72
Астрахань (8512)99-46-04
Барнаул (3852)73-04-60
Белгород (4722)40-23-64
Благовещенск (4162)22-76-07
Брянск (4832)59-03-52
Владивосток (423)249-28-31
Владикавказ (8672)28-90-48
Владимир (4922)49-43-18
Волгоград (844)278-03-48
Вологда (8172)26-41-59
Воронеж (473)204-51-73
Екатеринбург (343)384-55-89

Иваново (4932)77-34-06
Ижевск (3412)26-03-58
Иркутск (395)279-98-46
Казань (843)206-01-48
Калининград (4012)72-03-81
Калуга (4842)92-23-67
Кемерово (3842)65-04-62
Киров (8332)68-02-04
Коломна (4966)23-41-49
Кострома (4942)77-07-48
Краснодар (861)203-40-90
Красноярск (391)204-63-61
Курск (4712)77-13-04
Курган (3522)50-90-47
Липецк (4742)52-20-81

Магнитогорск (3519)55-03-13
Москва (495)268-04-70
Мурманск (8152)59-64-93
Набережные Челны (8552)20-53-41
Нижний Новгород (831)429-08-12
Новокузнецк (3843)20-46-81
Ноябрьск (3496)41-32-12
Новосибирск (383)227-86-73
Омск (3812)21-46-40
Орел (4862)44-53-42
Оренбург (3532)37-68-04
Пенза (8412)22-31-16
Петрозаводск (8142)55-98-37
Псков (8112)59-10-37
Пермь (342)205-81-47

Ростов-на-Дону (863)308-18-15
Рязань (4912)46-61-64
Самара (846)206-03-16
Санкт-Петербург (812)309-46-40
Саратов (845)249-38-78
Севастополь (8692)22-31-93
Саранск (8342)22-96-24
Симферополь (3652)67-13-56
Смоленск (4812)29-41-54
Сочи (862)225-72-31
Ставрополь (8652)20-65-13
Сургут (3462)77-98-35
Сыктывкар (8212)25-95-17
Тамбов (4752)50-40-97
Тверь (4822)63-31-35

Тольятти (8482)63-91-07
Томск (3822)98-41-53
Тула (4872)33-79-87
Тюмень (3452)66-21-18
Ульяновск (8422)24-23-59
Улан-Удэ (3012)59-97-51
Уфа (347)229-48-12
Хабаровск (4212)92-98-04
Чебоксары (8352)28-53-07
Челябинск (351)202-03-61
Череповец (8202)49-02-64
Чита (3022)38-34-83
Якутск (4112)23-90-97
Ярославль (4852)69-52-93

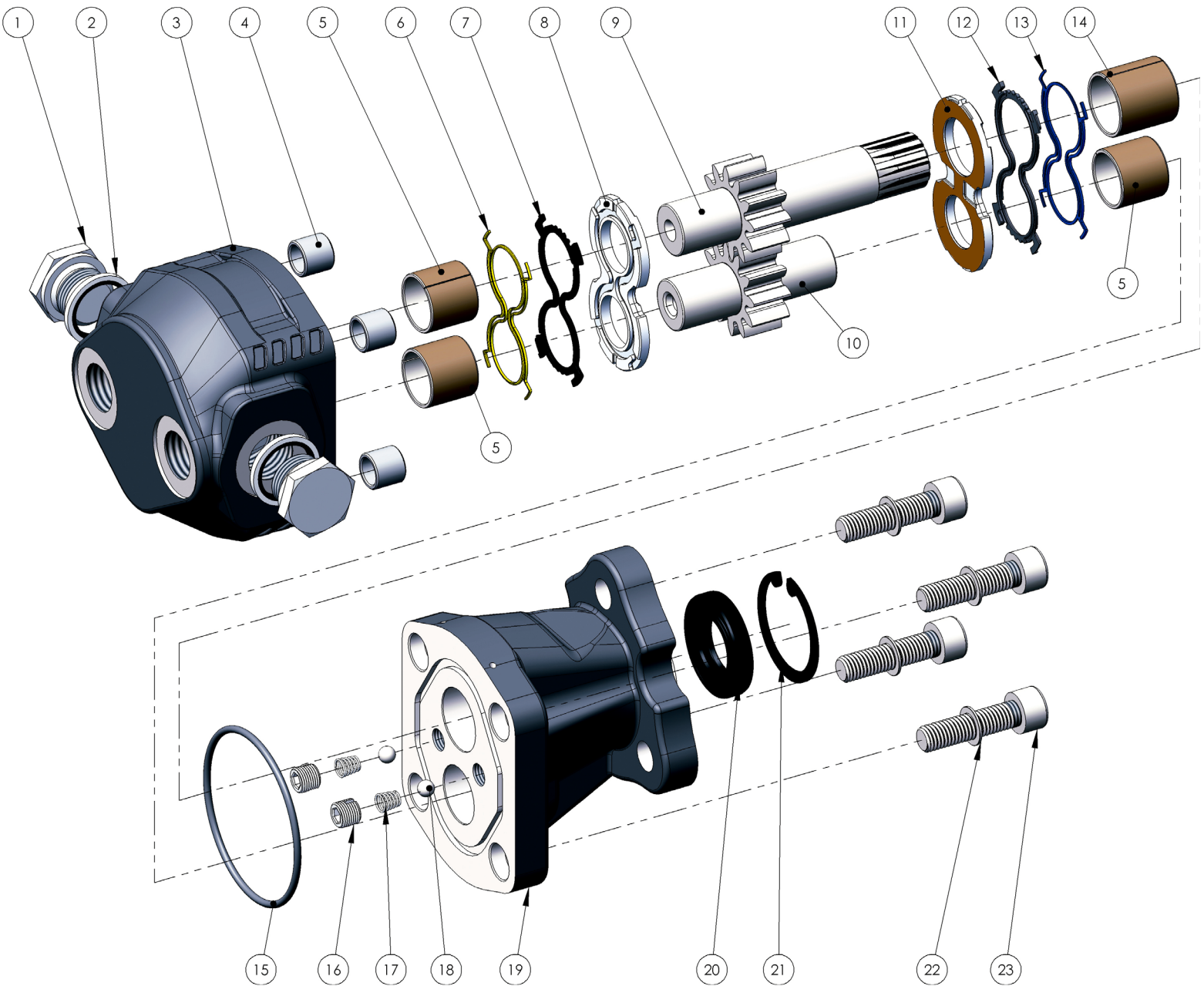
Россия +7(495)268-04-70

Казахстан +7(7172)727-132

Киргизия +996(312)96-26-47

Kit guarnizioni / Seal Kit

6	10590000268
7	
12	
13	
15	
20	



N°	6	10	12	14	16	20	25	32	40	Codice/Code	Descrizione / Description	Q.	
1							•	•	•	54000200129	Tappo acciaio 3/4"	Steel plug 3/4"	2
	•	•	•	•	•	•				54000200110	Tappo acciaio 1/2"	Steel plug 1/2"	
2							•	•	•	11600910343	Rondella acciaio-gomma 3/4"	Steel-rubber washer 3/4"	2
	•	•	•	•	•	•				11600910129	Rondella acciaio-gomma 1/2"	Steel-rubber washer 1/2"	
3	•									51703100061	Corpo pompa	Gear housing	1
		•								51703100105			
			•							51703100123			
				•						51703100141			
					•					51703100169			
						•				51703100203			
							•			51703100258			
								•		51703100329			
								•	51703100409				
4	•	•	•	•	•	•	•	•	•	50100300282	Spine forate di centraggio 14x12.5	Pins 14x12.5	4
5	•	•	•	•	•	•	•	•	•	53300400122	Boccola autolub. 20x23x20	Bushing 20x23x20	3
									•	53300400239	Boccola autolub. 20x23x25	Bushing 20x23x25	
6	•	•	•	•	•	•	•	•	•	50600002390	Guarnizione antiestrusione	Back-up ring	1
7	•	•	•	•	•	•	•	•	•	50600002381	Guarnizione per rasamento	Thrust plate seal	1
8	•	•	•	•	•	•	•	•	•	51001000257A	Rasamento	Thrust plate	1
9	•									52301500068	Albero dentato conduttore	Drive shaft	1
		•								52301500102			
			•							52301500120			
				•						52301500148			
					•					52301500166			
						•				52301500200			
							•			52301500255			
								•		52301500326			
								•	52301500406				
10	•									52301500077	Albero dentato condotto	Driven shaft	1
		•								52301500111			
			•							52301500139			
				•						52301500157			
					•					52301500175			
						•				52301500219			
							•			52301500264			
								•		52301500335			
								•	52301500415				
11	•	•	•	•	•	•	•	•	•	51001000239A	Rasamento	Thrust plate	1
12	•	•	•	•	•	•	•	•	•	50600002336	Guarnizione per rasamento	Thrust plate seal	1
13	•	•	•	•	•	•	•	•	•	50600002345	Guarnizione antiestrusione	Back-up ring	1
14	•	•	•	•	•	•	•	•	•	53300400113	Boccola autolub. 22x25x25	Bushing 22x25x25	1
15	•	•	•	•	•	•	•	•	•	50600200701	Guarnizione OR	O-Ring	1
16	•	•	•	•	•	•	•	•	•	50400000412	Grano valvola lubrificazione	Lube valve screw	2
17	•	•	•	•	•	•	•	•	•	51200400251	Molla conica	Tapered spring	2
18	•	•	•	•	•	•	•	•	•	51000900054	Sfera 1/4"	Ball 1/4"	2
19	•	•	•	•	•	•	•	•	•	51800300250	Coperchio anteriore	Mounting cover	1
									•	51800300394			
20	•	•	•	•	•	•	•	•	•	50602422405	Guarnizione paraolio	Oil seal	1
21	•	•	•	•	•	•	•	•	•	50100100373	Anello elastico	Circlip	1
22	•	•	•	•	•	•	•	•	•	50102000101	Rondella elastica	Washer	4
23										502-004-00574	Vite TCE M10x40	Screw M10x40	4
	•	•	•							502-004-00565	Vite TCE M10x35	Screw M10x35	

CARATTERISTICHE TECNICHE DI FUNZIONAMENTO - TECHNICAL FEATURES

Tipo pompa Pump type	Cilindrata Displacement	Pressione Pressure			Velocità max. continua Max. continuous speed	Velocità max. intermittente Max. intermittent speed	Velocità min. Min. speed
		P1	P2	P3			
	cm ³ /rev	bar	bar	bar	rpm	rpm	rpm
NPLH-6	6,3	280	310	325	2200	3000	300
NPLH-10	10,06						
NPLH-12	11,92						
NPLH-14	13.8						
NPLH-16	16.03						
NPLH-20	20.1	260	280	290	2000	2800	300
NPLH-25	25.1	220	250	260			
NPLH-32	32.04	190	210	220			
NPLH-40	39,9	160	180	190	1800	2500	

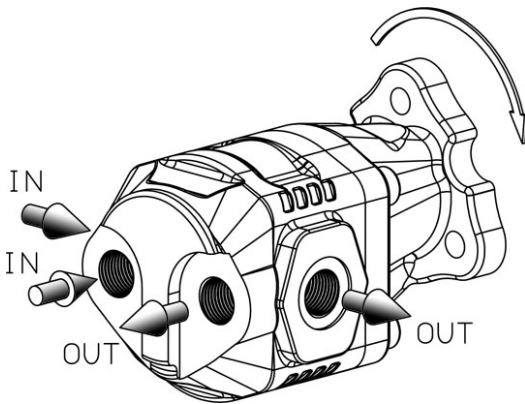
P1=Pressione max.continua
 P2=Pressione max. intermittente
 P3=Pressione max. di punta

Max. continuous pressure
 Max. Intermittent pressure
 Max. peak pressure

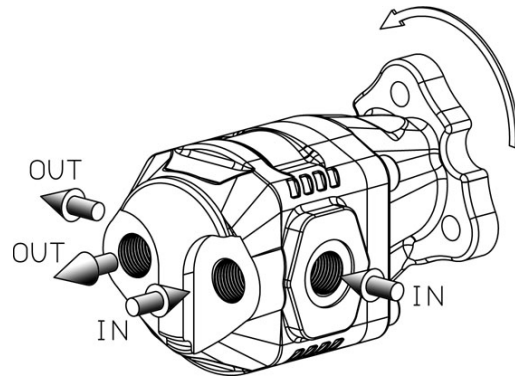
(100%)
 (20 sec.max.)
 (6 sec.max)

**IDENTIFICAZIONE ASPIRAZIONE/MANDATA:
 SUCTION/DELIVERY IDENTIFICATION:**

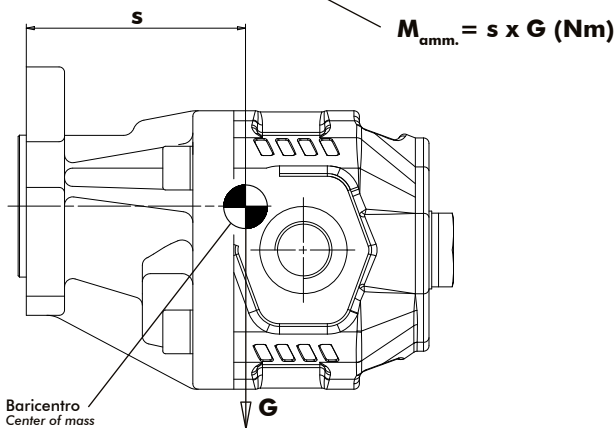
Rotazione antioraria, pompa sinistra
 Anti-clockwise rotation, left pump



Rotazione oraria, pompa destra
 Clockwise rotation, right pump

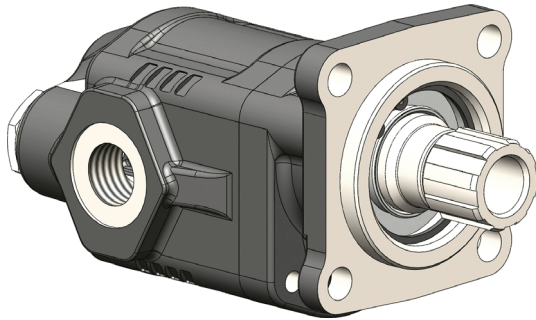


MOMENTO PESO / MASS MOMENT

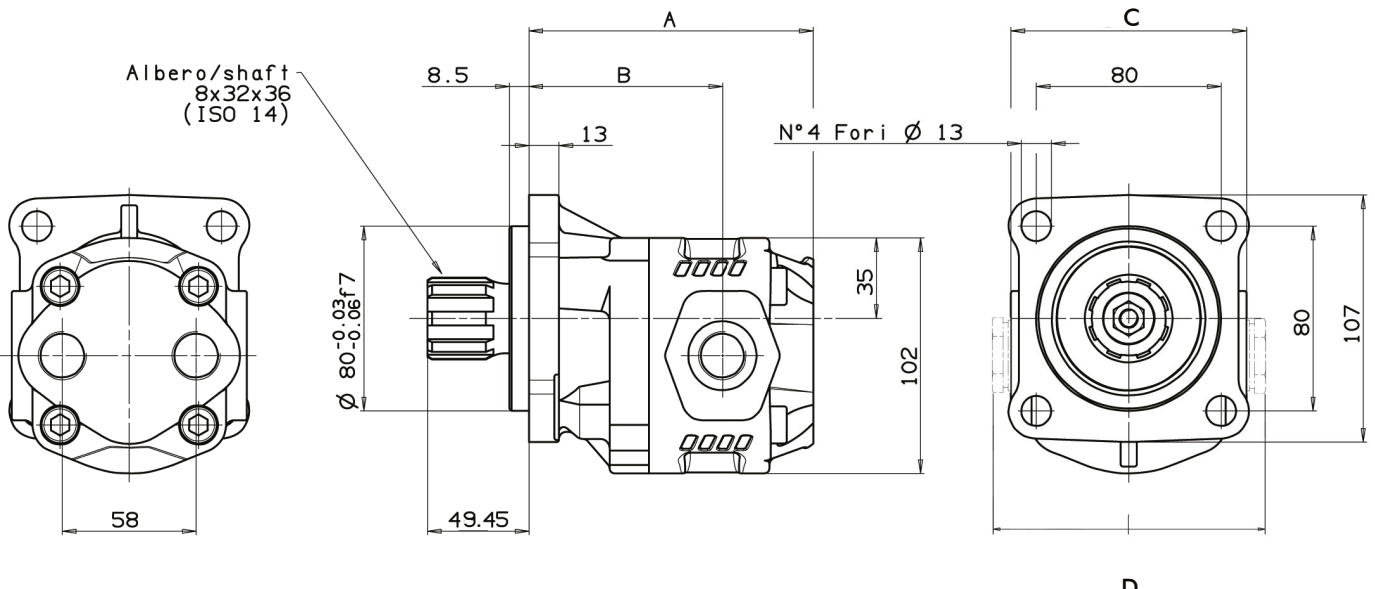


G=Peso in N (Peso in Kg x 9.81)
G=Weight in N (Weight in Kg x 9.81)

Tipo pompa - Pump type	S
NPLH-6	80
NPLH-10	83
NPLH-12	84
NPLH-14	86
NPLH-16	91
NPLH-20	92
NPLH-25	97
NPLH-32	102
NPLH-40	107



Fluido idraulico <i>Fluid</i>	Minerale o sintetico compatibile con guarnizioni: <i>Mineral or synthetic compatible with the following seals:</i> NBR, FKM, FPM, Nylon				
Viscosità cinematica consigliata <i>Kinematic viscosity suggested</i>	T media ambiente (°C) <i>Average ambient temp. (°C)</i>	< -10	-10÷10	10÷35	> 35
	VG (cSt = mm ² /s)	22	32	46	68
Viscosità cinematica ottimale di esercizio <i>Optimale kinematic viscosity</i>		VG= 10 cSt ÷ 100 cSt			
Viscosità cinematica max consentita all'avviamento <i>Max kinematic viscosity suggested at the start-up</i>		VG= 750 cSt			
Indice di viscosità consigliato <i>Viscosity index suggested</i>	VI > 100		Temperatura di esercizio <i>Working temperature</i>		
			-15°C +100°C		
Grado di filtrazione <i>Oil filtering</i>		> 200 bar: 10 µm < 200 bar: 25 µm			
Pressione di aspirazione / Inlet pressure		-0,3 ÷ 2 bar			
Senso di rotazione / Pump rotation		Bidirezionale/Bidirectional			

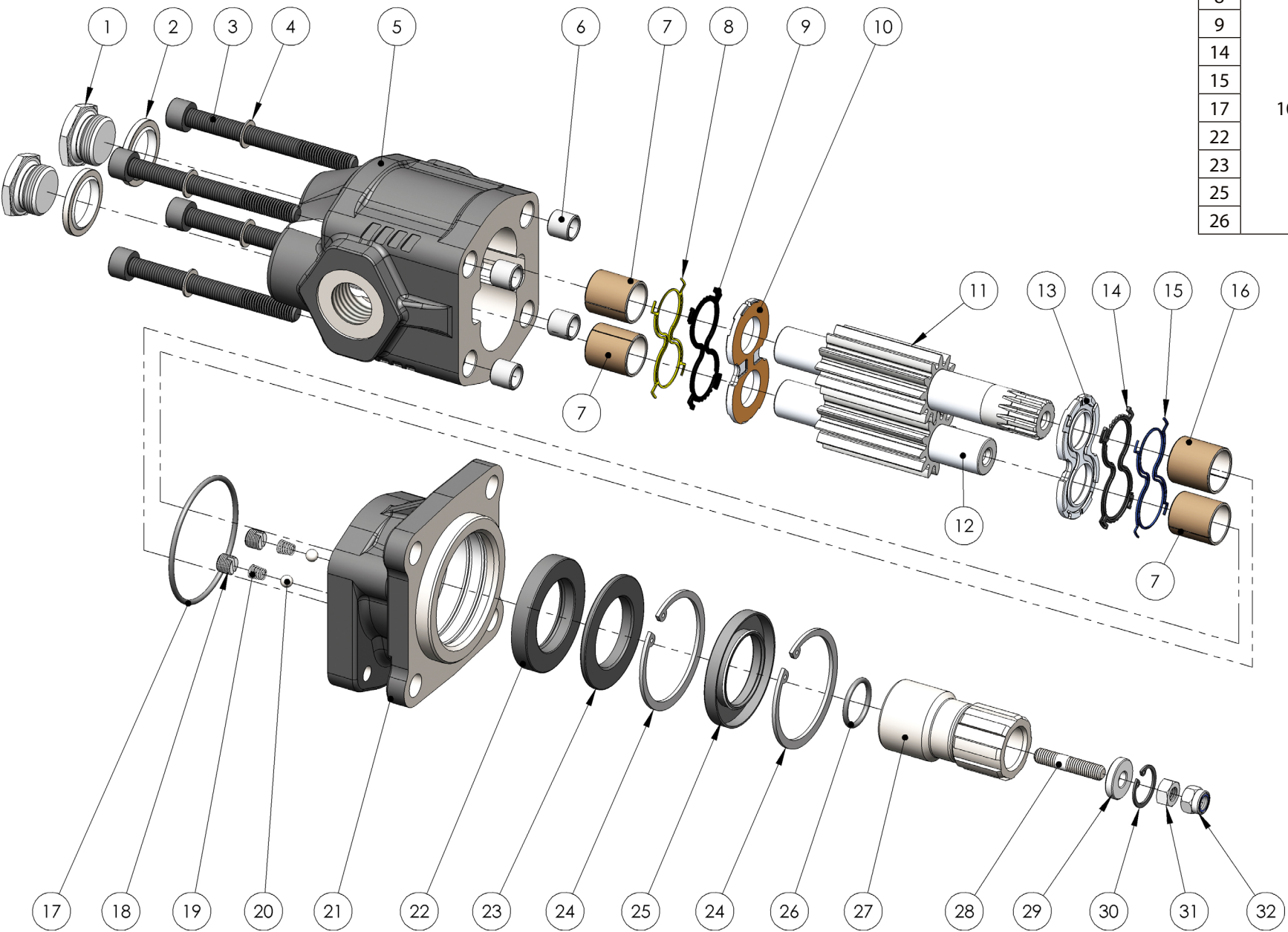
Ingombro / Dimensions

Dati tecnici / Technical data

Tipo pompa <i>Pump type</i>	Codice ordinazione <i>Order code</i>	IN	OUT	A	B	C	D	Peso <i>Weight</i>
		ISO 228	ISO 228	mm	mm	mm	mm	
NPLH-6	10500440069	G 1/2	G 1/2	108	74.5	98	116	5.2
NPLH-10	10500440103			114	80			5.8
NPLH-12	10500440121							6
NPLH-14	10500440149			120	74	102	120	6.2
NPLH-16	10500440167			123.5	77.5			6.4
NPLH-20	10500440201			130	84			6.8
NPLH-25	10500440256	140	89	7.2				
NPLH-32	10500440327	G 3/4	G 3/4	149	100	106	124	7.8
NPLH-40	10500440407			164	111			8.3


POMPE DA NON UTILIZZARE CON CARICHI ASSIALI E RADIALI SULL'ALBERO
NO AXIAL AND RADIAL LOADS ALLOWED ON PUMP SHAFT

Kit guarnizioni / Seal Kit

8	10590000286
9	
14	
15	
17	
22	
23	
25	
26	



N°	6	10	12	14	16	20	25	32	40	Codice/Code	Descrizione / Description	Q.	
1	54000200110	Tappo acciaio 1/2"	Steel plug 1/2"	2
	54000200129	Tappo acciaio 3/4"	Steel plug 3/4"	
2	11600910129	Rondella acciaio gomma 1/2"	Steel-rubber washer 1/2"	2
	11600910343	Rondella acciaio gomma 3/4"	Steel-rubber washer 3/4"	
3	50200400592	Vite TCE M10x50	Screw M10x50	4
	50200400609	Vite TCE M10x55	Screw M10x55	
	50200410652	Vite TCE M10x65	Screw M10x65	
	50200410705	Vite TCE M10x70	Screw M10x70	
	50200410803	Vite TCE M10x80	Screw M10x80	
	50200410901	Vite TCE M10x90	Screw M10x90	
4	50200400690	Vite TCE M10x100	Screw M10x100	4
	50102000101	Rondella elastica	Washer	
5	51703300069	Corpo pompa	Gear housing	1
	51703300103			
	51703300121			
	51703300149			
	51703300167			
	51703300201			
	51703300256			
6	51703300327	Spine forate di centraggio 14x10.5	Pins 14x10.5	4
	51703300407			
7	50100300282	Boccole autolub. 20x23x20	Bushing 20x23x20	3
	53300400122	Boccole autolub. 20x23x25	Bushing 20x23x25	
8	53300400239	Boccole autolub. 20x23x25	Bushing 20x23x25	1
9	50600002390	Guarnizione antiestrusione	Back-up ring	1
10	50600002381	Guarnizione per rasamento	Thrust plate seal	1
11	51001000257A	Rasamento	Thrust plate	1
	52301500068	Albero dentato conduttore	Drive shaft	
	52301500102			
	52301500120			
	52301500148			
	52301500166			
	52301500200			
	52301500255			
.	52301500326				
12	52301500406	Albero dentato condotto	Driven shaft	1
	52301500077			
	52301500111			
	52301500139			
	52301500157			
	52301500175			
	52301500219			
	52301500264			
13	52301500335	Rasamento	Thrust plate	1
	52301500415			
14	51001000239A	Guarnizione per rasamento	Thrust plate seal	1
15	50600002336	Guarnizione antiestrusione	Back-up ring	1
16	50600002345	Guarnizione antiestrusione	Back-up ring	1
17	53300400113	Boccole autolub. 22x25x25	Bushing 22x25x25	1
18	50600200701	Guarnizione OR	O-Ring	1
19	50400000412	Grano valvola lubrificazione	Lube valve screw	2
20	51200400251	Molla conica	Tapered spring	2
21	51000900054	Sfera 1/4"	Ball 1/4"	2
	51800300287	Coperchio anteriore	Mounting cover	
22	51800300401	Coperchio anteriore	Mounting cover	1
23	50602138624	Guarnizione paraolio	Oil seal	1
24	50602238623	Anello paraolio	Oil seal ring	1
25	50100100588	Anello seeger	Seeger ring	2
26	50600738627	Guarnizione paraolio	Oil seal	1
27	50600200176	Guarnizione OR	O-Ring	1
28	11400500227	Manicotto	Coupling	1
29	50300300028	Prigioniero M8x28	Stud bolt M8x28	1
30	52900400774	Distanziale	Spacer	1
31	50100100186	Anello seeger	Seeger ring	1
32	50500300033	Dado M8 CH13 H6.5	Nut M8 CH13 H6.5	1
	50501000089	Dado autb. M8 CH13 H8	Nut M8 CH13 H8	1

CARATTERISTICHE TECNICHE DI FUNZIONAMENTO - TECHNICAL FEATURES

Tipo pompa Pump type	Cilindrata Displacement <i>cm³/rev</i>	Pressione Pressure			Velocità max. continua Max. continuous speed <i>rpm</i>	Velocità max. intermittente Max. intermittent speed <i>rpm</i>	Velocità min. Min. speed <i>rpm</i>
		P1	P2	P3			
NPLH-6	6,3	280	310	325	2200	3000	300
NPLH-10	10,06						
NPLH-12	11,92						
NPLH-14	13,8						
NPLH-16	16,03						
NPLH-20	20,1	260	280	290	2000	2800	
NPLH-25	25,1	220	250	260			
NPLH-32	32,04	190	210	220	1800	2500	
NPLH-40	39,9	160	180	190			

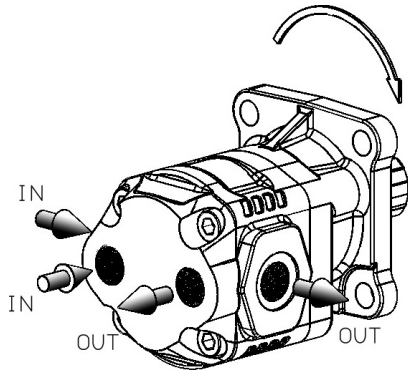
P1=Pressione max.continua
P2=Pressione max. intermittente
P3=Pressione max. di punta

Max. continuous pressure
Max. Intermittent pressure
Max. peak pressure

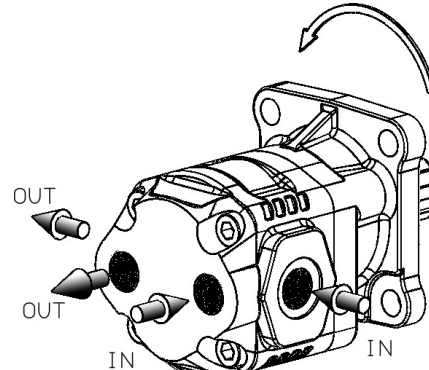
(100%)
(20 sec.max.)
(6 sec.max)

IDENTIFICAZIONE ASPIRAZIONE/MANDATA / SUCTION/DELIVERY IDENTIFICATION:

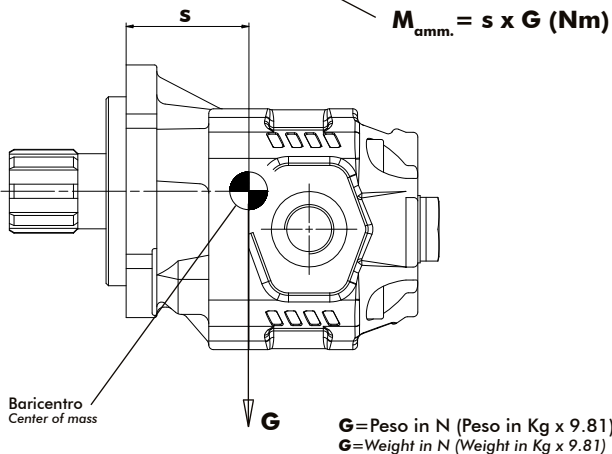
Rotazione antioraria, pompa sinistra
Anti-clockwise rotation, left pump



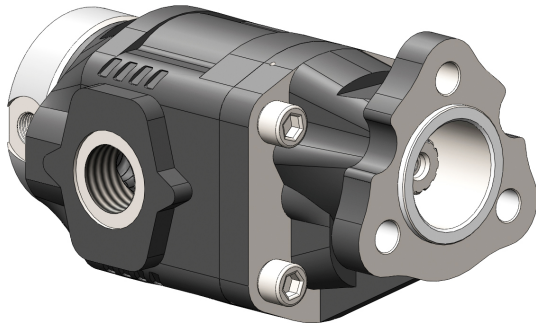
Rotazione oraria, pompa destra
Clockwise rotation, right pump



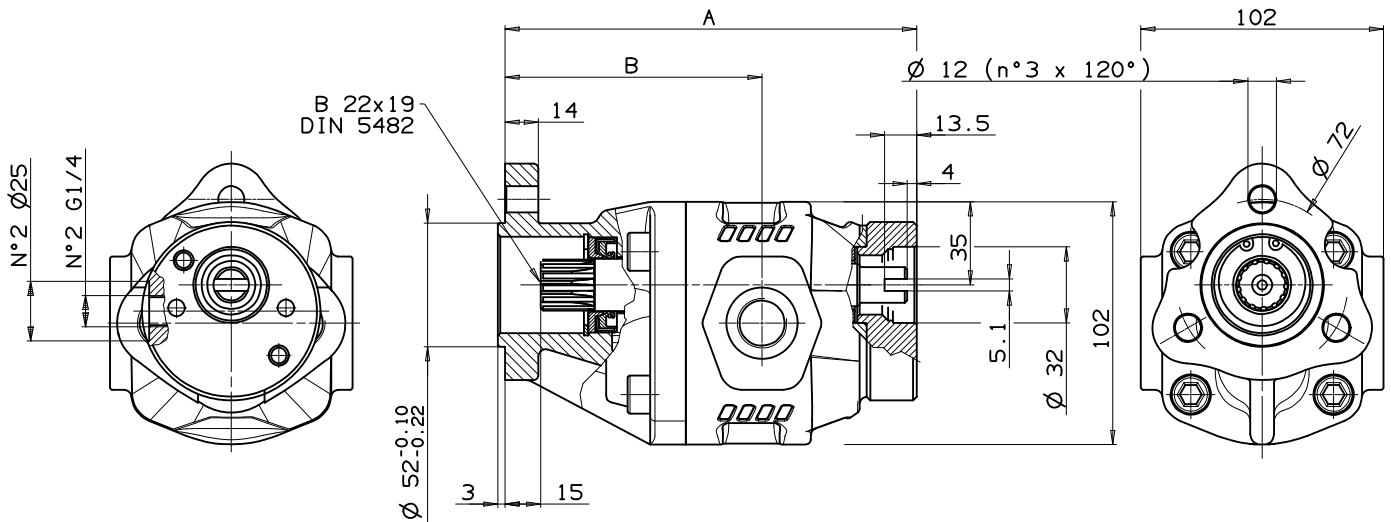
MOMENTO PESO / MASS MOMENT



Tipo pompa - Pump type	S
NPLH-6	53
NPLH-10	55
NPLH-12	56
NPLH-14	57
NPLH-16	58
NPLH-20	61
NPLH-25	64
NPLH-32	69
NPLH-40	77



Fluido idraulico <i>Fluid</i>	Minerale o sintetico compatibile con guarnizioni: <i>Mineral or synthetic compatible with the following seals:</i> NBR, FKM, FPM, Nylon				
Viscosità cinematica consigliata <i>Kinematic viscosity suggested</i>	T media ambiente (°C) <i>Average ambient temp. (°C)</i>	< -10	-10÷10	10÷35	> 35
	VG (cSt = mm ² /s)	22	32	46	68
Viscosità cinematica ottimale di esercizio <i>Optimale kinematic viscosity</i>			VG= 10 cSt ÷ 100 cSt		
Viscosità cinematica max consentita all'avviamento <i>Max kinematic viscosity suggested at the start-up</i>			VG= 750 cSt		
Indice di viscosità consigliato <i>Viscosity index suggested</i>		VI > 100	Temperatura di esercizio <i>Working temperature</i> -15°C +100°C		
Grado di filtrazione <i>Oil filtering</i>			> 200 bar: 10 µm < 200 bar: 25 µm		
Pressione di aspirazione / <i>Inlet pressure</i>			-0,3 ÷ 2 bar		
Senso di rotazione / <i>Pump rotation</i>			Bidirezionale/Bidirectional		

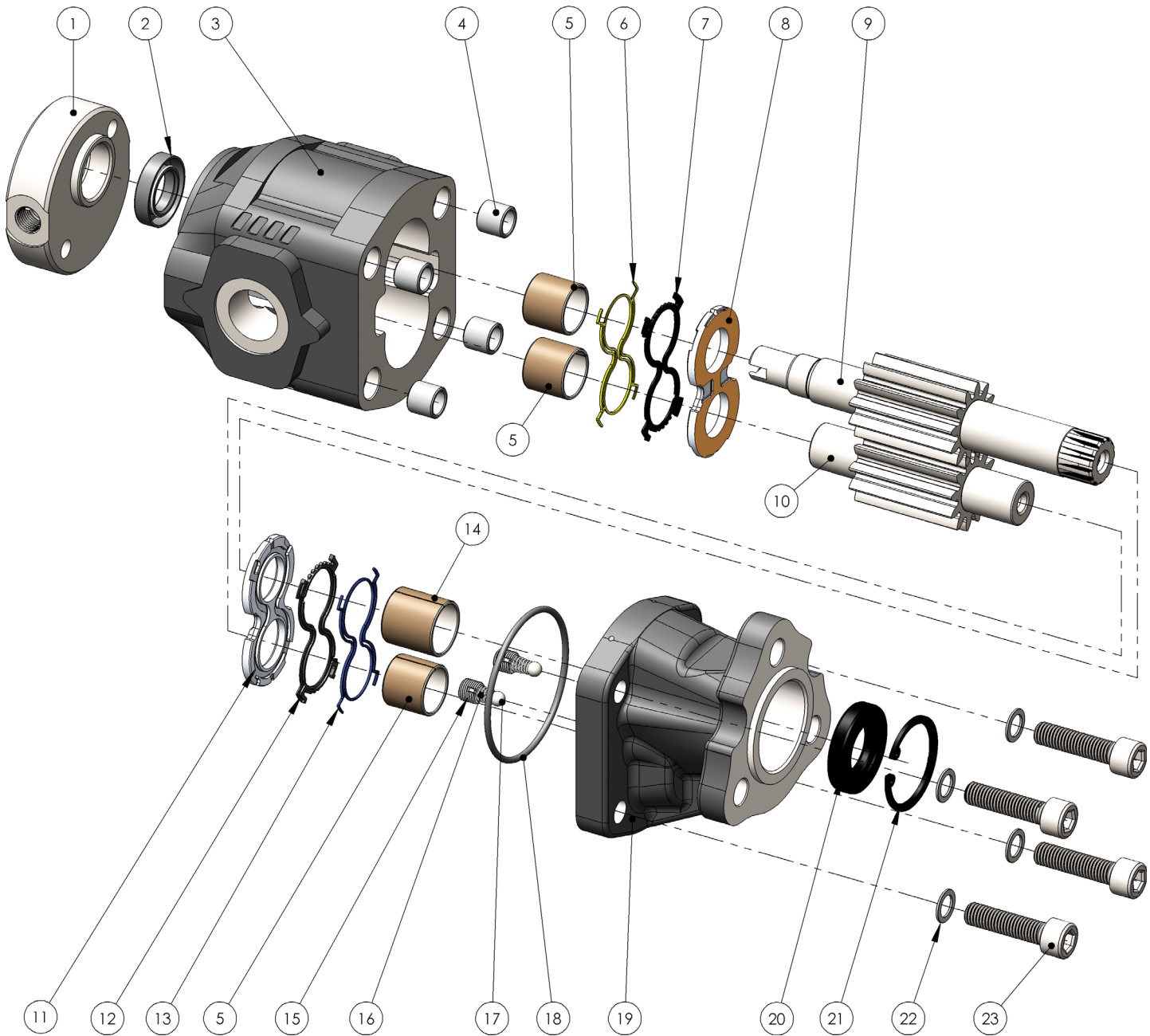
Ingombro / Dimensions

Dati tecnici / Technical data

Tipo pompa <i>Pump type</i>	Codice ordinazione <i>Order code</i>	IN	OUT	A	B	Peso <i>Weight</i>
		ISO 228	ISO 228	mm	mm	Kg
NPLH-6	10500420063	G 1/2	G 1/2	151	98.5	5
NPLH-10	10500420107			157	104.5	5.3
NPLH-16	10500420161			166.5	101.5	5.4
NPLH-20	10500420205			173	108	5.7
NPLH-25	10500420250	G 3/4	G 3/4	181	113	6
NPLH-32	10500420321			192	124	6.2

PREDISPOSTA PER 2^A POMPA GRUPPO 1 CON CODOLO FRESATO
 READY FOR 2ND PUMP - GROUP 1 WITH MILLED SHANK

Kit guarnizioni / Seal Kit

2	10590000277
6	
7	
12	
13	
18	
20	



N°	6	10	16	20	25	32	Codice/Code	Descrizione / Description		Q.
1	52800700835	Flangia	Flange	1
2	50600700180	Guarnizione Paraolio	Oil seal	1
3	.						51703200060	Corpo pompa	Gear housing	1
		.					51703200104			
			.				51703200168			
				.			51703200202			
					.		51703200257			
						.	51703200328			
4	50100300282	Spine forate di centraggio 14x10.5	Pins 14x10.5	4
5	53300400122	Boccole autolub. 20x23x20	Bushing 20x23x20	3
6	50600002390	Guarnizione antiestrusione	Back-up ring	1
7	50600002381	Guarnizione per rasamento	Thrust plate seal	1
8	51001000257A	Rasamento	Thrust plate	1
9	.						52301600067	Albero dentato conduttore	Drive shaft	1
		.					52301600101			
			.				52301600165			
				.			52301600209			
					.		52301600254			
						.	52301600325			
10	.						52301500077	Albero dentato condotto	Driven shaft	1
		.					52301500111			
			.				52301500175			
				.			52301500219			
					.		52301500264			
						.	52301500335			
11	51001000239A	Rasamento	Thrust plate	1
12	50600002336	Guarnizione per rasamento	Thrust plate seal	1
13	50600002345	Guarnizione antiestrusione	Back-up ring	1
14	53300400113	Boccole autolub. 22x25x25	Bushing 22x25x25	1
15	50400000412	Grano valvola lubrificazione	Lube valve screw	2
16	51200400251	Molla conica	Tapered spring	2
17	51000900054	Sfera 1/4"	Ball 1/4"	2
18	50600200701	Guarnizione OR	O-Ring	1
19	51800300250	Coperchio anteriore	Mounting cover	1
20	50602422405	Guarnizione paraolio	Oil seal	1
21	50100100373	Anello seeger	Seeger ring	1
22	50102000101	Rondella elastica	Washer	4
23	.	.					50200400565	Vite TCE M10x35	Screw M10x35	4
24			50200400574	Vite TCE M10x40	Screw M10x40	4

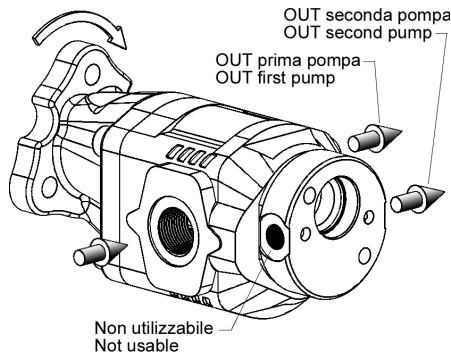
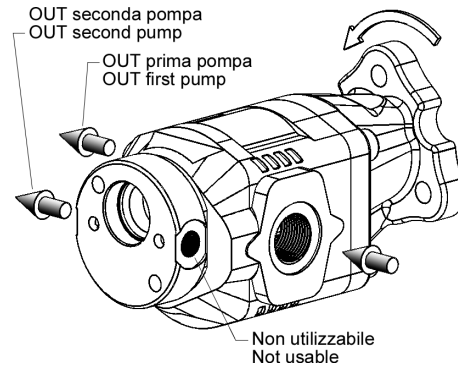
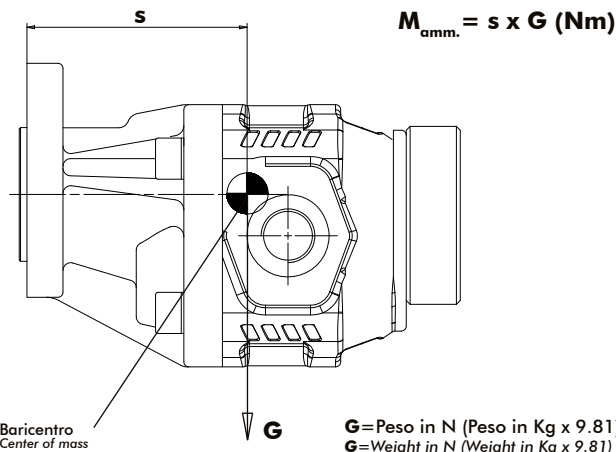
CARATTERISTICHE TECNICHE DI FUNZIONAMENTO - TECHNICAL FEATURES

Tipo pompa Pump type	Cilindrata Displacement cm ³ /rev	Pressione Pressure			Velocità max. continua Max. continuous speed rpm	Velocità max. intermittente Max. intermittent speed rpm	Velocità min. Min. speed rpm
		P1	P2	P3			
		bar	bar	bar			
NPLH-6	6,288	280	310	325	2200	3000	300
NPLH-10	10,062						
NPLH-16	16,035						
NPLH-20	20,123	260	280	290			
NPLH-25	25,154	220	250	260			
NPLH-32	32,042	190	210	220	2000	2800	

P1=Pressione max.continua
P2=Pressione max. intermittente
P3=Pressione max. di punta

Max. continuous pressure
Max. Intermittent pressure
Max. peak pressure

(100%)
(20 sec.max.)
(6 sec.max)

IDENTIFICAZIONE ASPIRAZIONE/MANDATA / SUCTION/DELIVERY IDENTIFICATION:
Rotazione antioraria, pompa sinistra
Anti-clockwise rotation, left pump

Rotazione oraria, pompa destra
Clockwise rotation, right pump

MOMENTO PESO / MASS MOMENT


Tipo pompa - Pump type	S
NPLH-6	85
NPLH-10	89
NPLH-16	94
NPLH-20	98
NPLH-25	103
NPLH-32	109

Алматы (7273)495-231
Ангарск (3955)60-70-56
Архангельск (8182)63-90-72
Астрахань (8512)99-46-04
Барнаул (3852)73-04-60
Белгород (4722)40-23-64
Благовещенск (4162)22-76-07
Брянск (4832)59-03-52
Владивосток (423)249-28-31
Владикавказ (8672)28-90-48
Владимир (4922)49-43-18
Волгоград (844)278-03-48
Вологда (8172)26-41-59
Воронеж (473)204-51-73
Екатеринбург (343)384-55-89

Россия +7(495)268-04-70

Иваново (4932)77-34-06
Ижевск (3412)26-03-58
Иркутск (395)279-98-46
Казань (843)206-01-48
Калининград (4012)72-03-81
Калуга (4842)92-23-67
Кемерово (3842)65-04-62
Киров (8332)68-02-04
Коломна (4966)23-41-49
Кострома (4942)77-07-48
Краснодар (861)203-40-90
Красноярск (391)204-63-61
Курск (4712)77-13-04
Курган (3522)50-90-47
Липецк (4742)52-20-81

Магнитогорск (3519)55-03-13
Москва (495)268-04-70
Мурманск (8152)59-64-93
Набережные Челны (8552)20-53-41
Нижний Новгород (831)429-08-12
Новокузнецк (3843)20-46-81
Новосибирск (383)227-86-73
Омск (3812)21-46-40
Орел (4862)44-53-42
Оренбург (3532)37-68-04
Пенза (8412)22-31-16
Петрозаводск (8142)55-98-37
Псков (8112)59-10-37
Пермь (342)205-81-47

Казахстан +7(7172)727-132

Ростов-на-Дону (863)308-18-15
Рязань (4912)46-61-64
Самара (846)206-03-16
Санкт-Петербург (812)309-46-40
Саратов (845)249-38-78
Севастополь (8692)22-31-93
Саранск (8342)22-96-24
Симферополь (3652)67-13-56
Смоленск (4812)29-41-54
Сочи (862)225-72-31
Ставрополь (8652)20-65-13
Сургут (3462)77-98-35
Сыктывкар (8212)25-95-17
Тамбов (4752)50-40-97
Тверь (4822)63-31-35

Киргизия +996(312)96-26-47

Тольятти (8482)63-91-07
Томск (3822)98-41-53
Тула (4872)33-79-87
Тюмень (3452)66-21-18
Ульяновск (8422)24-23-59
Улан-Удэ (3012)59-97-51
Уфа (347)229-48-12
Хабаровск (4212)92-98-04
Чебоксары (8352)28-53-07
Челябинск (351)202-03-61
Череповец (8202)49-02-64
Чита (3022)38-34-83
Якутск (4112)23-90-97
Ярославль (4852)69-52-93