

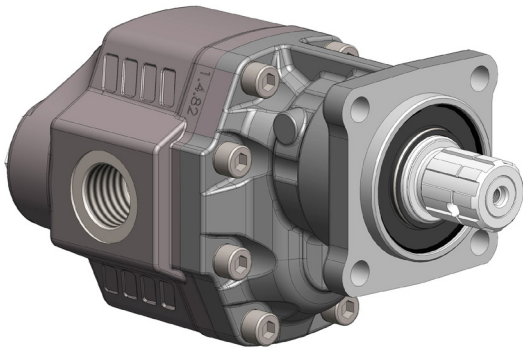
# POMPE AD INGRANAGGI REVERSIBILI FISSAGGIO 4 FORI-ISO

CODICE FAMIGLIA  
FAMILY CODE

# 105048

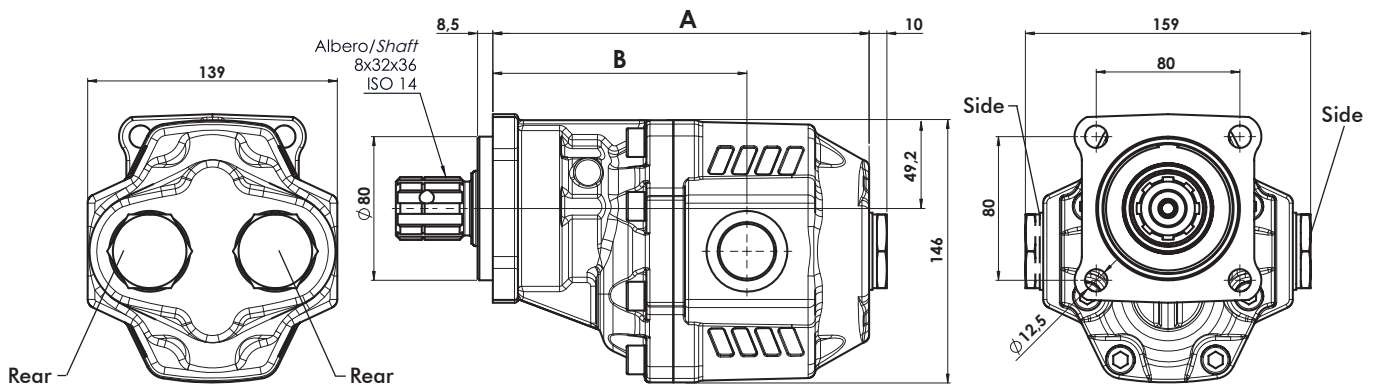
## 4 HOLES-ISO REVERSIBLE HYDRAULIC GEAR PUMPS

## DTH ISO



Fluido idraulico Fluid	Minerale o sintetico compatibile con guarnizioni: Mineral or synthetic compatible with the following seals: NBR, FKM, FPM, Nylon				
Viscosità cinematica consigliata Kinematic viscosity suggested	T media ambiente (°C) Average ambient temp. (°C)	< -10	-10 ÷ 10	10 ÷ 35	> 35
	VG (cSt = mm²/s)	22	32	46	68
Viscosità cinematica ottimale di esercizio Optimal kinematic viscosity		VG = 10 cSt ÷ 100 cSt			
Viscosità cinematica max consentita all'avviamento Max kinematic viscosity suggested at the start-up		VG = 750 cSt			
Indice di viscosità consigliato Viscosity index suggested	VI > 100	Temperatura di esercizio Working temperature		-15°C + 100°C	
Grado di filtrazione Oil filtering		> 200 bar: 10 µm < 200 bar: 25 µm			
Pressione di aspirazione/Inlet pressure		-0,3 ÷ 2 bar			
Senso di rotazione/Pump rotation		Bidirezionale Bidirectional			

### DTH-61/DTH-82



Tipo pompa Pump type	Codice ordinazione Order code	Laterali Side	Posteriori Rear	A	B	Peso Weight
		ISO 228	ISO 228	mm	mm	Kg
<b>DTH-61</b>	10504810616	G 1		196,5	136,5	15,3
<b>DTH-82</b>	10504810821			209,5	140,5	16,3

### CARATTERISTICHE TECNICHE DI FUNZIONAMENTO

#### TECHNICAL FEATURES

Tipo pompa Pump type	Cilindrata Displacement	Pressione Pressure			Velocità max. continua Max. continuous speed	Velocità max. intermittente Max. intermittent speed	Velocità min. Min. speed
		P1	P2	P3			
	cm³/rev	bar	bar	bar	rpm	rpm	rpm
<b>DTH-61</b>	60,06	205	225	230	1900 rpm	2500 rpm	300 rpm
<b>DTH-82</b>	81,08	205	225	230	1900 rpm	2500 rpm	

P1=Pressione max.continua Max. continuous pressure (100%)  
P2=Pressione max. intermittente Max. Intermittent pressure (20 sec.max.)  
P3=Pressione max. di punta Max. peak pressure (6 sec.max.)

**Алматы** (7273)495-231  
**Ангарск** (3955)60-70-56  
**Архангельск** (8182)63-90-72  
**Астрахань** (8512)99-46-04  
**Барнаул** (3852)73-04-60  
**Белгород** (4722)40-23-64  
**Благовещенск** (4162)22-76-07  
**Брянск** (4832)59-03-52  
**Владивосток** (423)249-28-31  
**Владикавказ** (8672)28-90-48  
**Владимир** (4922)49-43-18  
**Волгоград** (844)278-03-48  
**Вологда** (8172)26-41-59  
**Воронеж** (473)204-51-73  
**Екатеринбург** (343)384-55-89

**Иваново** (4932)77-34-06  
**Ижевск** (3412)26-03-58  
**Иркутск** (395)279-98-46  
**Казань** (843)206-01-48  
**Калининград** (4012)72-03-81  
**Калуга** (4842)92-23-67  
**Кемерово** (3842)65-04-62  
**Киров** (8332)68-02-04  
**Колומна** (4966)23-41-49  
**Кострома** (4942)77-07-48  
**Краснодар** (861)203-40-90  
**Красноярск** (391)204-63-61  
**Курск** (4712)77-13-04  
**Курган** (352)50-90-47  
**Липецк** (4742)52-20-81

**Магнитогорск** (3519)55-03-13  
**Москва** (495)268-04-70  
**Мурманск** (8152)59-64-93  
**Набережные Челны** (8552)20-53-41  
**Нижний Новгород** (831)429-08-12  
**Новокузнецк** (3843)20-46-81  
**Ноябрьск** (3496)41-32-12  
**Новосибирск** (383)227-86-73  
**Омск** (3812)21-46-40  
**Орел** (4862)44-53-42  
**Оренбург** (3532)37-68-04  
**Пенза** (8412)22-31-16  
**Петрозаводск** (8142)55-98-37  
**Псков** (8112)59-10-37  
**Пермь** (342)205-81-47

**Ростов-на-Дону** (863)308-18-15  
**Рязань** (4912)46-61-64  
**Самара** (846)206-03-16  
**Санкт-Петербург** (812)309-46-40  
**Саратов** (845)249-38-78  
**Севастополь** (8692)22-31-93  
**Саранск** (8342)22-96-24  
**Симферополь** (3652)67-13-56  
**Смоленск** (4812)29-41-54  
**Сочи** (862)225-72-31  
**Ставрополь** (8652)20-65-13  
**Сургут** (3462)77-98-35  
**Сыктывкар** (8212)25-95-17  
**Тамбов** (4752)50-40-97  
**Тверь** (4822)63-31-35

**Тольятти** (8482)63-91-07  
**Томск** (3822)98-41-53  
**Тула** (4872)33-79-87  
**Тюмень** (3452)66-21-18  
**Ульяновск** (8452)24-23-59  
**Улан-Удэ** (3012)59-97-51  
**Уфа** (347)229-48-12  
**Хабаровск** (4212)92-98-04  
**Челябинск** (351)202-03-61  
**Череповец** (8202)49-02-64  
**Чита** (3022)38-34-83  
**Якутск** (4112)23-90-97  
**Ярославль** (4852)69-52-93

Россия +7(495)268-04-70

Казахстан +7(7172)727-132

Киргизия +996(312)96-26-47

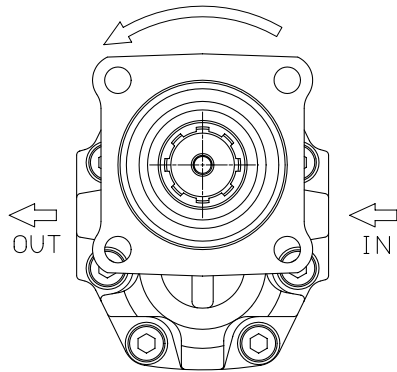
<https://omfb.nt-rt.ru/> || [oba@nt-rt.ru](mailto:oba@nt-rt.ru)

27/01/2021

9971050281501 Rev: AB

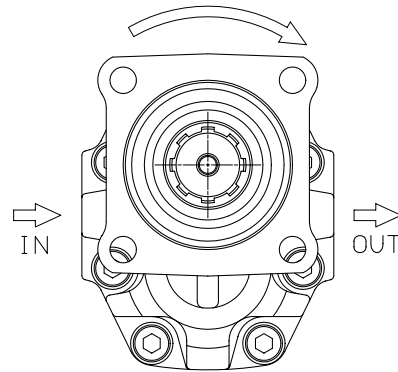
**CARATTERISTICHE TECNICHE DI FUNZIONAMENTO - TECHNICAL FEATURES**

**Rotazione antioraria, pompa sinistra**  
*Anti-clockwise rotation, left pump*



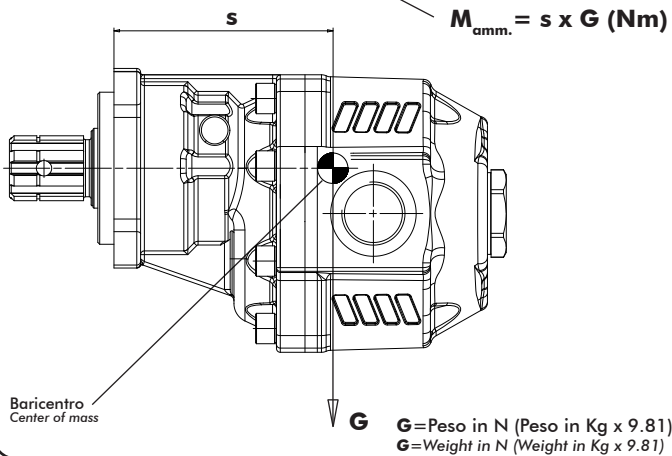
Vista FRONTALE  
FRONT

**Rotazione oraria, pompa destra**  
*Clockwise rotation, right pump*



Vista FRONTALE  
FRONT

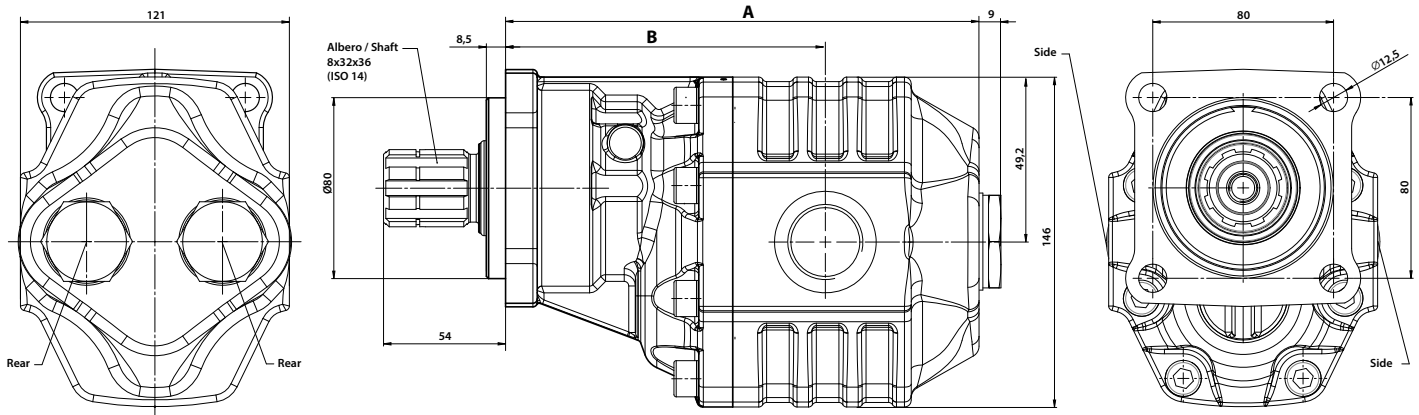
**MOMENTO PESO / MASS MOMENT**



Tipo pompa - Pump type	S
<b>DTH-61</b>	109
<b>DTH-82</b>	117



Fluido idraulico <i>Fluid</i>	Minerale o sintetico compatibile con guarnizioni: <i>Mineral or synthetic compatible with the following seals:</i> NBR, FKM, FPM, Nylon				
Viscosità cinematica consigliata <i>Kinematic viscosity suggested</i>	T media ambiente (°C) <i>Average ambient temp. (°C)</i>	< -10	-10÷10	10÷35	> 35
	VG (cSt = mm <sup>2</sup> /s)	22	32	46	68
Viscosità cinematica ottimale di esercizio <i>Optimale kinematic viscosity</i>			VG= 10 cSt ÷ 100 cSt		
Viscosità cinematica max consentita all'avviamento <i>Max kinematic viscosity suggested at the start-up</i>			VG= 750 cSt		
Indice di viscosità consigliato <i>Viscosity index suggested</i>		VI > 100	Temperatura di esercizio <i>Working temperature</i>		
			-15°C +100°C		
Grado di filtrazione <i>Oil filtering</i>			> 200 bar: 10 µm < 200 bar: 25 µm		
Pressione di aspirazione <i>Inlet pressure</i>			-0,3 ÷ 2 bar		
Senso di rotazione <i>Pump rotation</i>			Bidirezionale <i>Bidirectional</i>		

**Ingombro / Dimensions**

**Dati tecnici / Technical data**

Tipo pompa <i>Pump type</i>	Cilindrata <i>Displacement</i>	Codice <i>Code</i>	Laterali <i>Side</i>	Posteriori <i>Rear</i>	Pressione <i>Pressure</i>			A	B	Velocità max. continua <i>Max. continuous speed</i>	Velocità max. intermittente <i>Max. intermittent speed</i>	Velocità min. <i>Min. speed</i>	Peso <i>Weight</i>	
					P1	P2	P3							
DTH-51	50,82	10592810513	ISO 228	ISO 228	bar	bar	bar	mm	mm	rpm	rpm	rpm	kg	
DTH-61	60,06	10592810611	G1			220	230	240	190,5	130,5	2000	2500	300	12
DTH-82	81,08	10592810826				205	225	230	209,5	141,5	1900			15,8

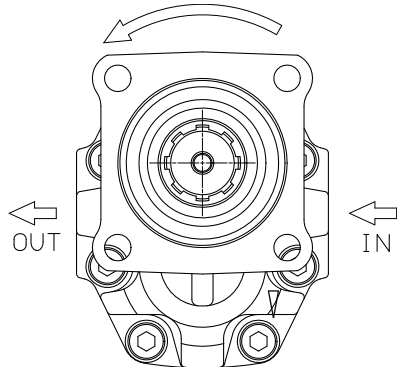
P1=Pressione max.continua  
P2=Pressione max. intermittente  
P3=Pressione max. di punta

*Max. continuous pressure*  
*Max. Intermittent pressure*  
*Max. peak pressure*

(100%)  
(20 sec.max.)  
(6 sec.max.)

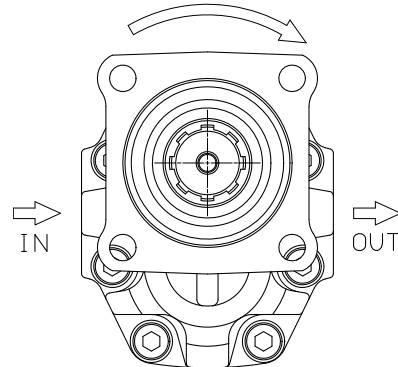
**IDENTIFICAZIONE ASPIRAZIONE/MANDATA / SUCTION/DELIVERY IDENTIFICATION:**

**Rotazione antioraria, pompa sinistra**  
*Anti-clockwise rotation, left pump*



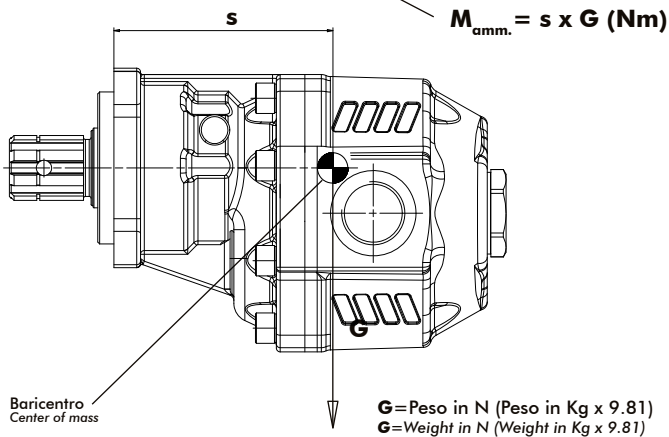
Vista FRONTALE  
FRONT

**Rotazione oraria, pompa destra**  
*Clockwise rotation, right pump*



Vista FRONTALE  
FRONT

**MOMENTO PESO / MASS MOMENT**



Tipo pompa - Pump type	S
DTH-51	95
DTH-61	99
DTH-82	107

**Алматы** (7273)495-231  
**Ангарск** (3955)60-70-56  
**Архангельск** (8182)63-90-72  
**Астрахань** (8512)99-46-04  
**Барнаул** (3852)73-04-60  
**Белгород** (4722)40-23-64  
**Благовещенск** (4162)22-76-07  
**Брянск** (4832)59-03-52  
**Владивосток** (423)249-28-31  
**Владикавказ** (8672)28-90-48  
**Владимир** (4922)49-43-18  
**Волгоград** (844)278-03-48  
**Вологда** (8172)26-41-59  
**Воронеж** (473)204-51-73  
**Екатеринбург** (343)384-55-89

Россия +7(495)268-04-70

**Иваново** (4932)77-34-06  
**Ижевск** (3412)26-03-58  
**Иркутск** (395)279-98-46  
**Казань** (843)206-01-48  
**Калининград** (4012)72-03-81  
**Калуга** (4842)92-23-67  
**Кемерово** (3842)65-04-62  
**Киров** (8332)68-02-04  
**Коломна** (4966)23-41-49  
**Кострома** (4942)77-07-48  
**Краснодар** (861)203-40-90  
**Красноярск** (391)204-63-61  
**Курск** (4712)77-13-04  
**Курган** (3522)50-90-47  
**Липецк** (4742)52-20-81

**Магнитогорск** (3519)55-03-13  
**Москва** (495)268-04-70  
**Мурманск** (8152)59-64-93  
**Набережные Челны** (8552)20-53-41  
**Нижний Новгород** (831)429-08-12  
**Новокузнецк** (3843)20-46-81  
**Ноябрьск** (3496)41-32-12  
**Новосибирск** (383)227-86-73  
**Омск** (3812)21-46-40  
**Орел** (4862)44-53-42  
**Оренбург** (3532)37-68-04  
**Пенза** (8412)22-31-16  
**Петрозаводск** (8142)55-98-37  
**Псков** (8112)59-10-37  
**Пермь** (342)205-81-47

Казахстан +7(7172)727-132

**Ростов-на-Дону** (863)308-18-15  
**Рязань** (4912)46-61-64  
**Самара** (846)206-03-16  
**Санкт-Петербург** (812)309-46-40  
**Саратов** (845)249-38-78  
**Севастополь** (8692)22-31-93  
**Саранск** (8342)22-96-24  
**Симферополь** (3652)67-13-56  
**Смоленск** (4812)29-41-54  
**Сочи** (862)225-72-31  
**Ставрополь** (8652)20-65-13  
**Сургут** (3462)77-98-35  
**Сыктывкар** (8212)25-95-17  
**Тамбов** (4752)50-40-97  
**Тверь** (4822)63-31-35

Киргизия +996(312)96-26-47

**Тольятти** (8482)63-91-07  
**Томск** (3822)98-41-53  
**Тула** (4872)33-79-87  
**Тюмень** (3452)66-21-18  
**Ульяновск** (8422)24-23-59  
**Улан-Удэ** (3012)59-97-51  
**Уфа** (347)229-48-12  
**Хабаровск** (4212)92-98-04  
**Чебоксары** (8352)28-53-07  
**Челябинск** (351)202-03-61  
**Череповец** (8202)49-02-64  
**Чита** (3022)38-34-83  
**Якутск** (4112)23-90-97  
**Ярославль** (4852)69-52-93