

La coppia trasmissibile indicata si riferisce al valore massimo trasmesso in condizioni teoriche.

La coppia reale dipende da fattori esterni quali:

- Allineamento degli alberi;
- Picchi;
- Vibrazioni.

Si consiglia perciò di considerare un fattore peggiorativo nel dimensionamento delle trasmissioni a seconda delle reali condizioni di lavoro. Si raccomanda inoltre l'ingrassaggio degli scanalati (alberi e giunti) per preservare più a lungo l'integrità dei denti.

*The allowed torque is referred to the maximum value transmitted under theoretical conditions.*

*The real torque rating depends on external factors such as:*


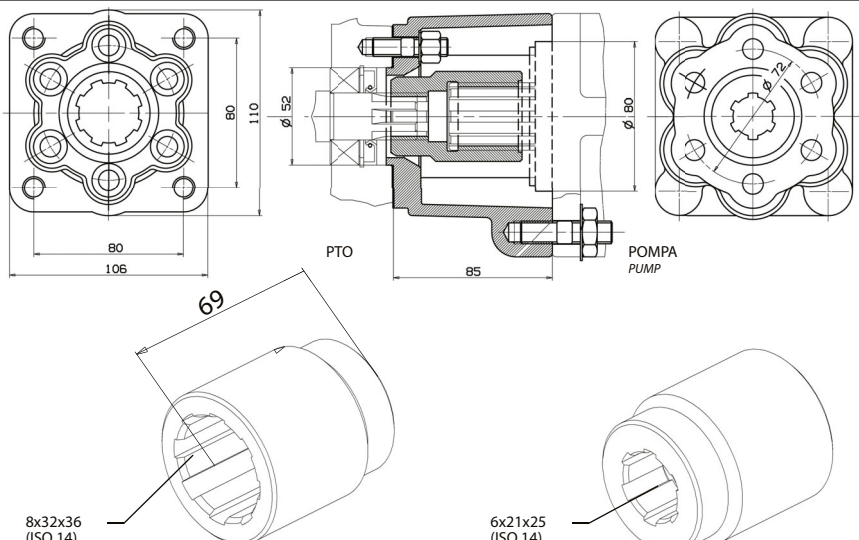
- shaft alignments;
- peaks;
- vibrations.

*We recommend therefore to take into consideration a negative factor while calculating the transmissions based onto real working conditions. Furthermore, we recommend to grease the splined shafts (couplings and joints) to ensure longer lifetime to the toothing.*

<p><b>11400300014</b></p>  <p>6x21x25 (ISO 14)</p> <p>Coppia teorica trasmissibile Theoretical transmitted torque <b>400 Nm</b></p>	<p>Manicotto / Hub UNI - UNI</p>		<p><b>11400010604</b></p> 
	<p><b>11400000106</b></p>  <p>Lunghezza Length 30mm</p>	<p><b>11400010604</b></p> 	

<p><b>11400400059</b></p>  <p>19x22 Z=13 (DIN 5482)</p> <p>6x21x25 (ISO 14)</p> <p>Coppia teorica trasmissibile Theoretical transmitted torque <b>250 Nm</b></p>	<p>Manicotto / Hub UNI / DIN - UNI / DIN</p>		<p><b>11400011505</b></p> 
	<p><b>11400000115</b></p>  <p>Lunghezza Length 30mm</p>	<p><b>11400011505</b></p> 	

**11400000615** Applicazione PTO UNI/POMPA ISO - Adaptor UNI PTO (3 HOLES)/ISO (4 HOLES) PUMP

 <p>Coppia teorica trasmissibile Theoretical transmitted torque <b>400 Nm</b></p>	 <p>8x32x36 (ISO 14)</p> <p>6x21x25 (ISO 14)</p>
--	--

Codice foglio: 99711411701 Rev. AV

**Алматы** (7273)495-231  
**Ангарск** (3955)60-70-56  
**Архангельск** (8182)63-90-72  
**Астрахань** (8512)99-46-04  
**Барнаул** (3852)73-04-60  
**Белгород** (4722)40-23-64  
**Благовещенск** (4162)22-76-07  
**Брянск** (4832)59-03-52  
**Владивосток** (423)249-28-31  
**Владикавказ** (8672)28-90-48  
**Владимир** (4922)49-43-18  
**Волгоград** (844)278-03-48  
**Вологда** (8172)26-41-59  
**Воронеж** (473)204-51-73  
**Екатеринбург** (343)384-55-89

**Иваново** (4932)77-34-06  
**Ижевск** (3412)26-03-58  
**Иркутск** (395)279-98-46  
**Казань** (843)206-01-48  
**Калининград** (4012)72-03-81  
**Калуга** (4842)92-23-67  
**Кемерово** (3842)65-04-62  
**Киров** (8332)68-02-04  
**Коломна** (4966)23-41-49  
**Кострома** (4942)77-07-48  
**Краснодар** (861)203-40-90  
**Красноярск** (391)204-63-61  
**Курск** (4712)77-13-04  
**Курган** (3522)50-90-47  
**Липецк** (4742)52-20-81

**Магнитогорск** (3519)55-03-13  
**Москва** (495)268-04-70  
**Мурманск** (8152)59-64-93  
**Набережные Челны** (8552)20-53-41  
**Нижегний Новгород** (831)429-08-12  
**Новокузнецк** (3843)20-46-81  
**Новосибирск** (3496)41-32-12  
**Новосибирск** (383)227-86-73  
**Омск** (3812)21-46-40  
**Орел** (4862)44-53-42  
**Оренбург** (3532)37-68-04  
**Пенза** (8412)22-31-16  
**Петрозаводск** (8142)55-98-37  
**Псков** (8112)59-10-37  
**Пермь** (342)205-81-47

**Ростов-на-Дону** (863)308-18-15  
**Рязань** (4912)46-61-64  
**Самара** (846)206-03-16  
**Санкт-Петербург** (812)309-46-40  
**Саратов** (845)249-38-78  
**Севастополь** (8692)22-31-93  
**Саранск** (8342)22-96-24  
**Симферополь** (3652)67-13-56  
**Смоленск** (4812)29-41-54  
**Сочи** (862)225-72-31  
**Ставрополь** (8652)20-65-13  
**Сургут** (3462)77-98-35  
**Сыктывкар** (8212)25-95-17  
**Тамбов** (4752)50-40-97  
**Тверь** (4822)63-31-35

**Тольятти** (8482)63-91-07  
**Томск** (3822)98-41-53  
**Тула** (4872)33-79-87  
**Тюмень** (3452)66-21-18  
**Ульяновск** (8422)24-23-59  
**Улан-Удэ** (3012)59-97-51  
**Уфа** (347)229-48-12  
**Хабаровск** (4212)92-98-04  
**Чебоксары** (8352)28-53-07  
**Челябинск** (351)202-03-61  
**Череповец** (8202)49-02-64  
**Чита** (3022)38-34-83  
**Якутск** (4112)23-90-97  
**Ярославль** (4852)69-52-93

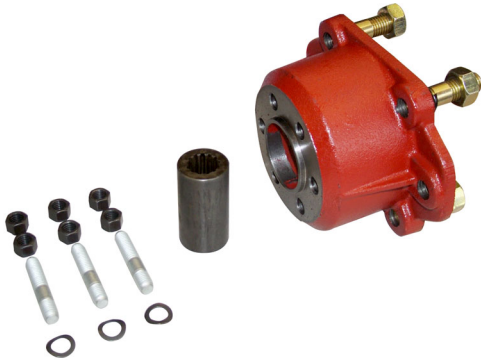
Россия +7(495)268-04-70

Казахстан +7(7172)727-132

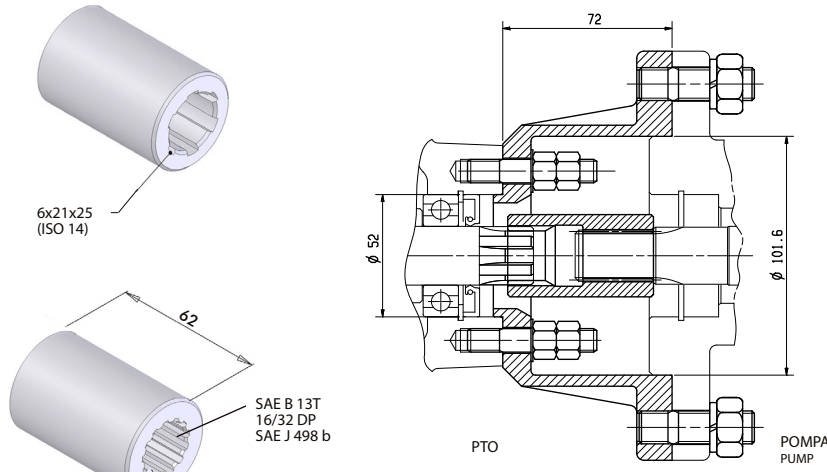
Киргизия +996(312)96-26-47

## APPLICAZIONI PTO/POMPA PTO/PUMP ADAPTORS

### 1140000151      Applicazione PTO UNI / POMPA SAE B - Adaptor UNI PTO / SAE B PUMP

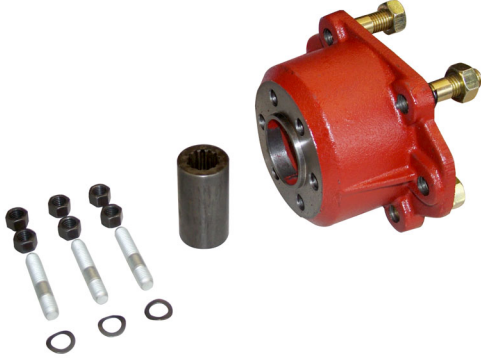


Coppia teorica trasmissibile  
*Theoretical transmitted torque*  
**250 Nm**

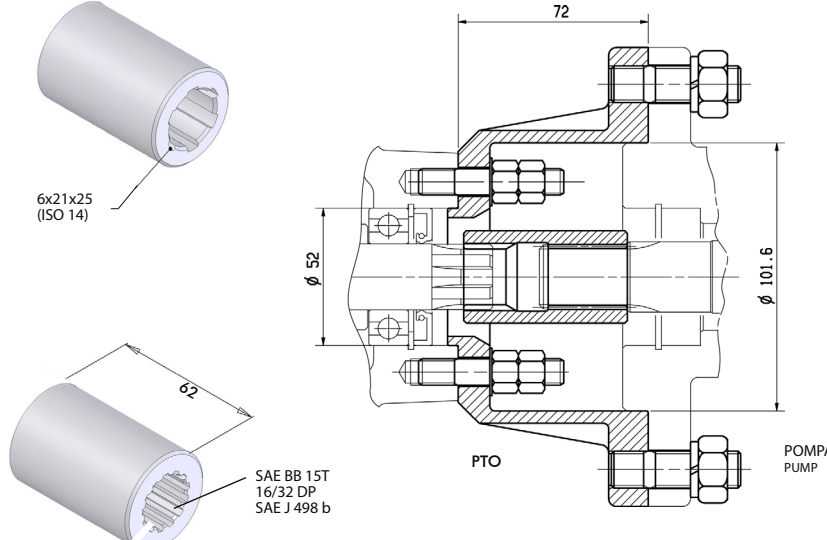


SAE B 13T  
16/32 DP  
SAE J 498 b

### 11400011603      Applicazione PTO UNI / POMPA SAE BB - Adaptor UNI PTO / SAE BB PUMP

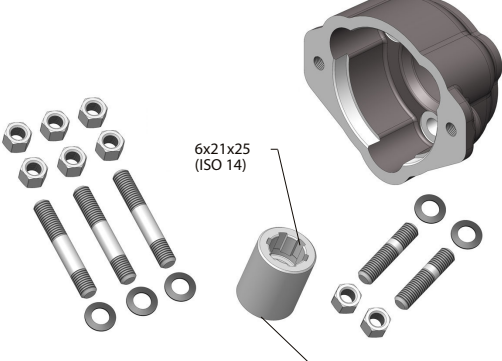


Coppia teorica trasmissibile  
*Theoretical transmitted torque*  
**250 Nm**

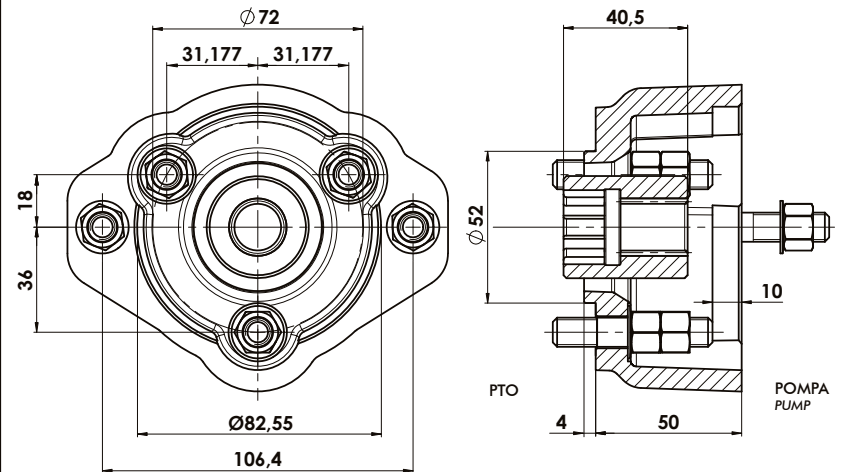


SAE BB 15T  
16/32 DP  
SAE J 498 b

### 11400000142      Applicazione PTO UNI / POMPA SAE A - Z9 - Adaptor UNI PTO / SAE A PUMP - Z9



Coppia teorica trasmissibile  
*Theoretical transmitted torque*  
**100 Nm**

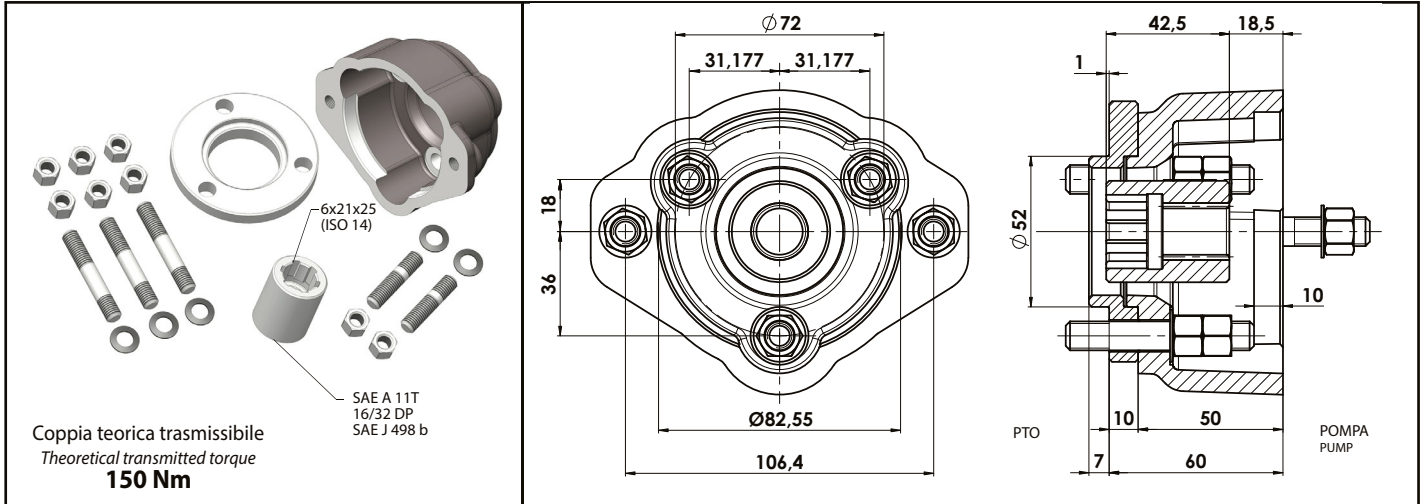


SAE A 9T  
16/32 DP  
SAE J 498 b

## APPLICAZIONI PTO/POMPA PTO/PUMP ADAPTORS

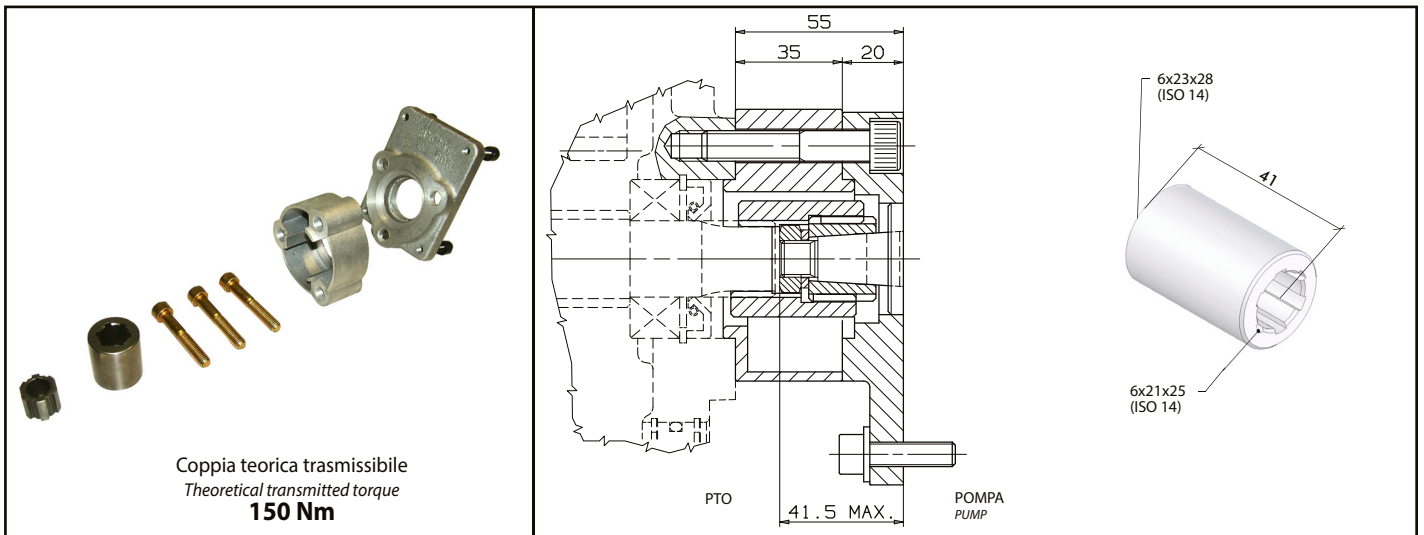
**1140000866**

Applicazione PTO UNI / POMPA SAE A - Z11 - Adaptor UNI PTO / SAE A PUMP - Z11



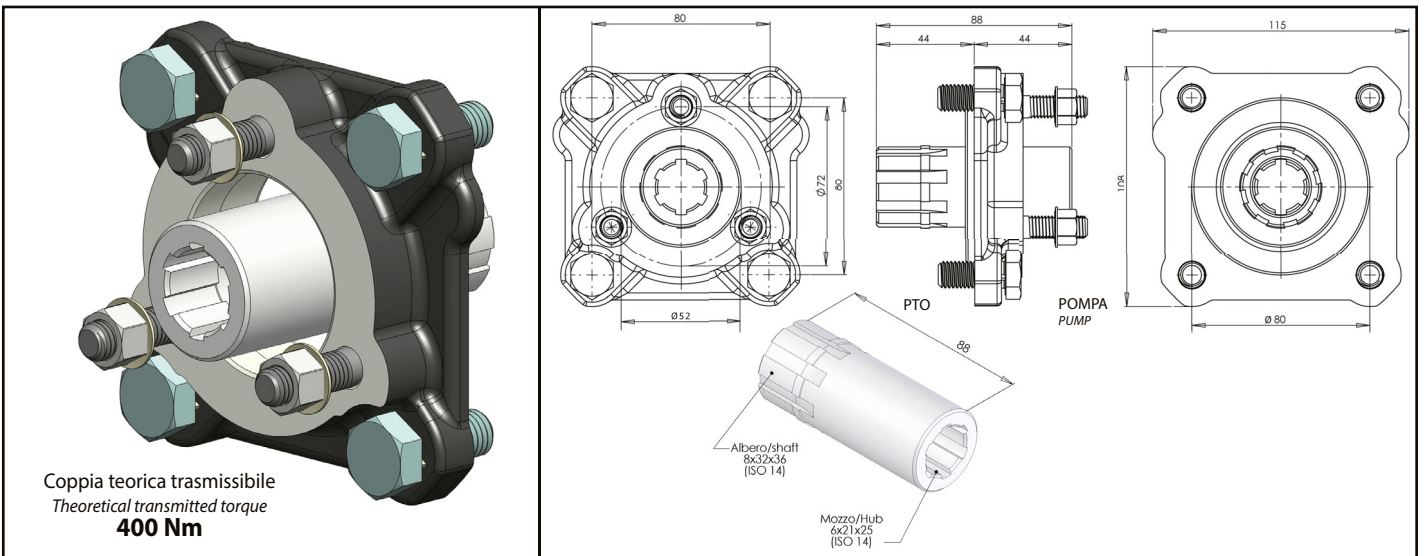
**1140000599**

Applicazione PTO UNI / POMPA 2P - Adaptor UNI PTO / 2P PUMP



**1140000071**

Applicazione PTO ISO / POMPA UNI - Adaptor ISO 4-hole PTO / UNI 3-hole PUMP

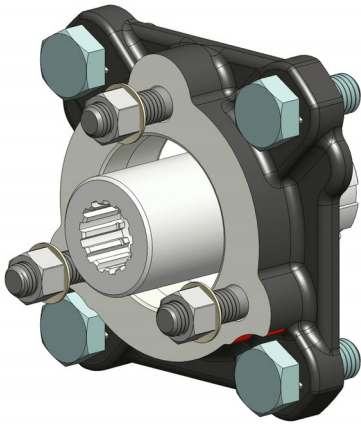


Codice foglio: 99711411701 Rev: AV

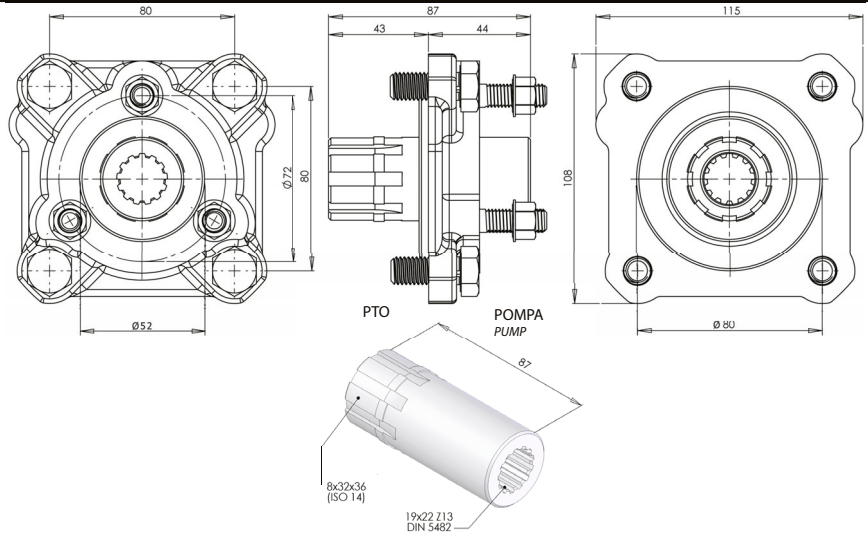
## APPLICAZIONI PTO/POMPA PTO/PUMP ADAPTORS

**1140000786**

Applicazione PTO ISO/POMPA DIN13 - *Adaptor ISO 4-hole PTO/DIN13 3-hole PUMP*



Coppia teorica trasmissibile  
Theoretical transmitted torque  
**250 Nm**

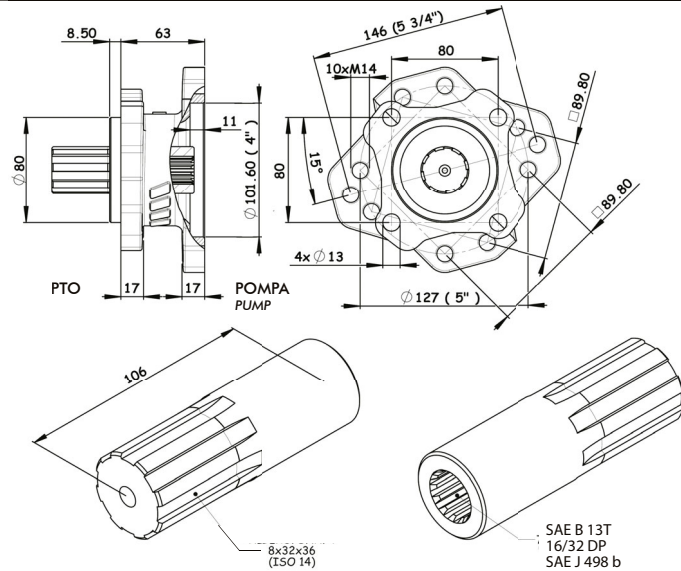


**11400011701**

Applicazione PTO ISO / POMPA SAE B - *Adaptor ISO 4 BOLT PTO / SAE B PUMP*

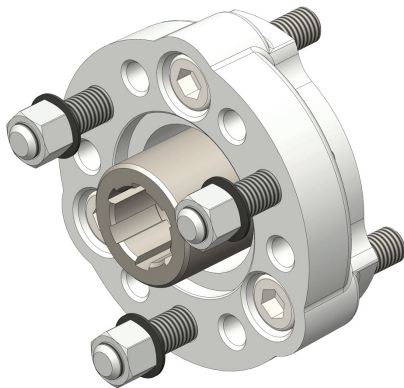


Coppia teorica trasmissibile  
Theoretical transmitted torque  
**250 Nm**

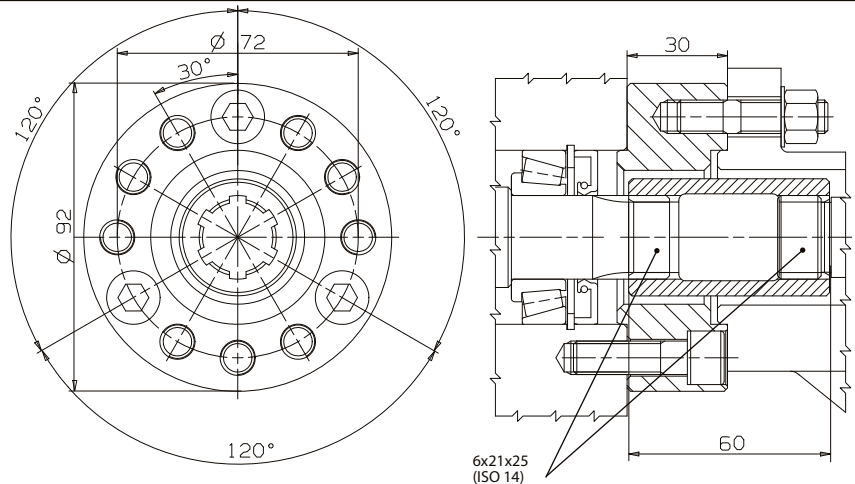


**1140000393**

Applicazione PTO / POMPA UNI - *Adaptor PTO / UNI PUMP*



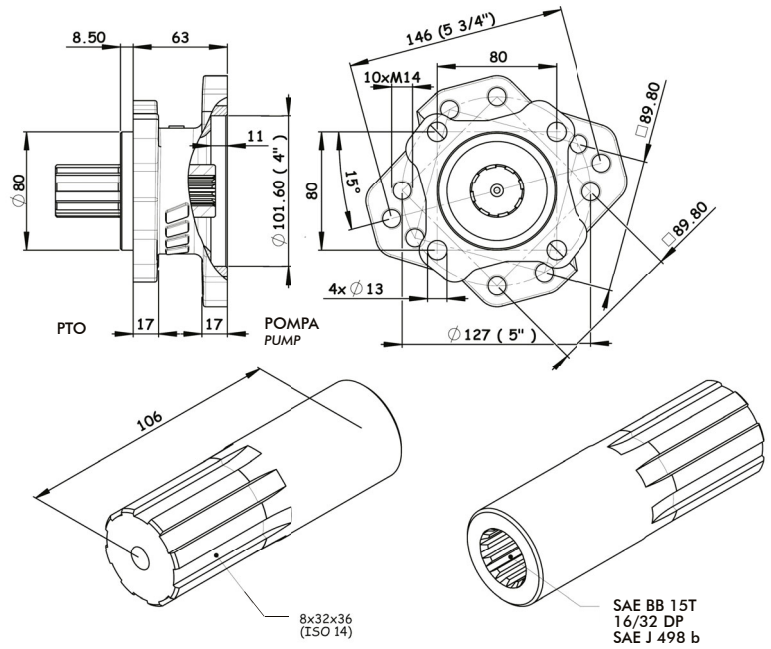
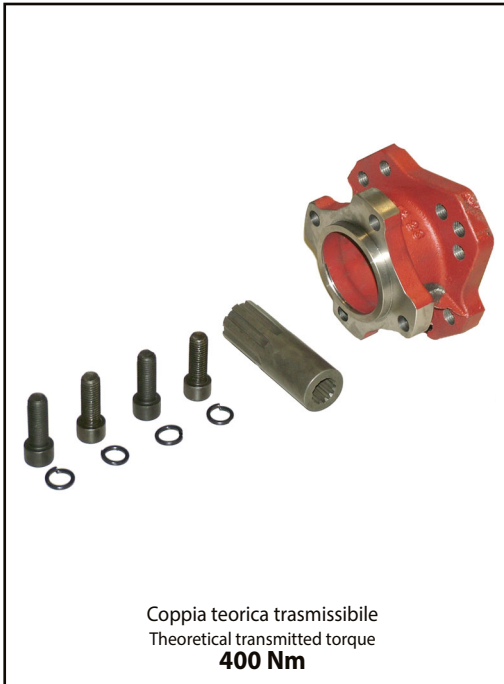
Coppia max. intermittente  
Intermittent max. torque  
**295 Nm**



## APPLICAZIONI PTO/POMPA PTO/PUMP ADAPTORS

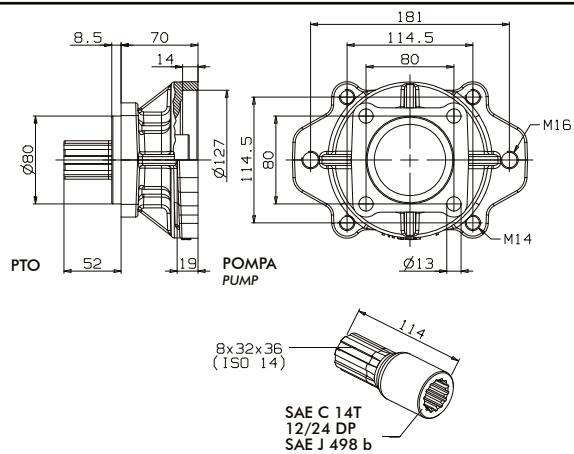
**11400011756**

Applicazione PTO ISO / POMPA SAE BB - *Adaptor ISO 4 BOLT PTO / SAE BB PUMP*



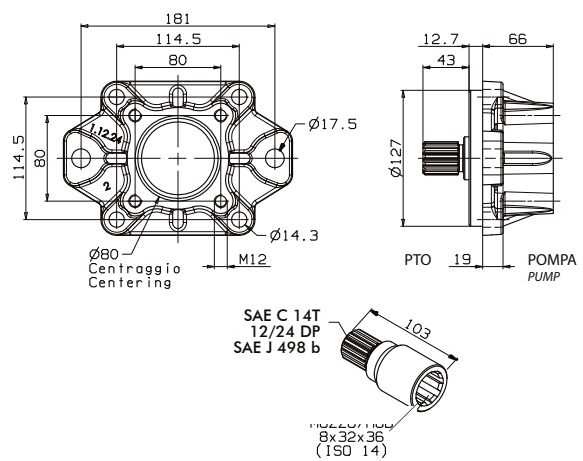
**11400011827**

Applicazione PTO ISO / POMPA SAE C - *Adaptor ISO 4 BOLT PTO / SAE C PUMP*



**11400011818**

Applicazione PTO SAE C / POMPA ISO - *Adaptor SAE C PTO / ISO 4 BOLT PUMP*

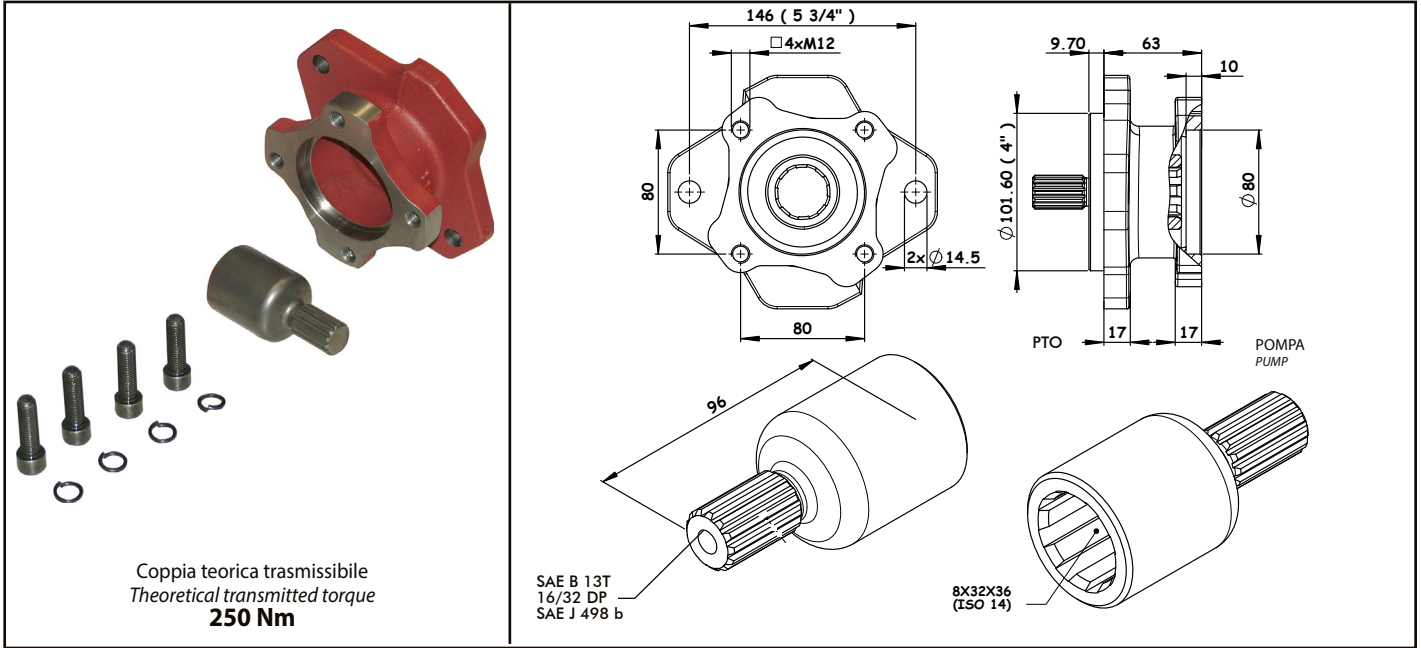


Codice foglio: 99711411701 Rev: AV

# APPLICAZIONI PTO/POMPA PTO/PUMP ADAPTORS

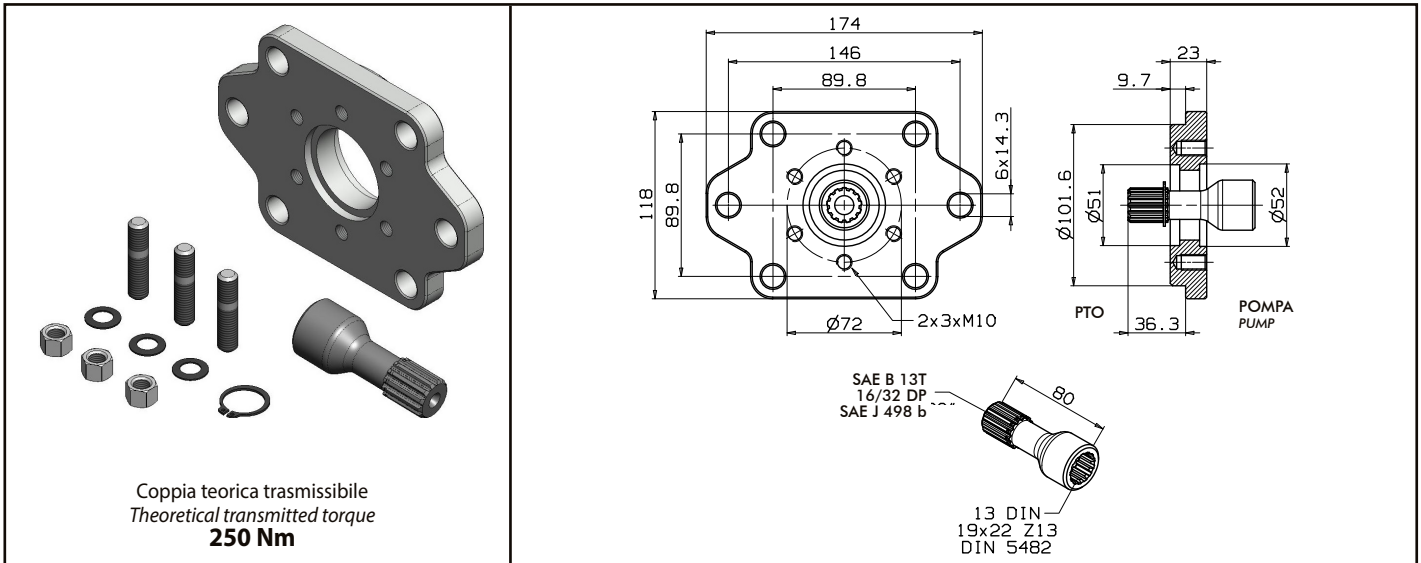
11400011809

Applicazione PTO SAE B / POMPA ISO - Adaptor SAE B PTO / ISO 4 BOLT PUMP



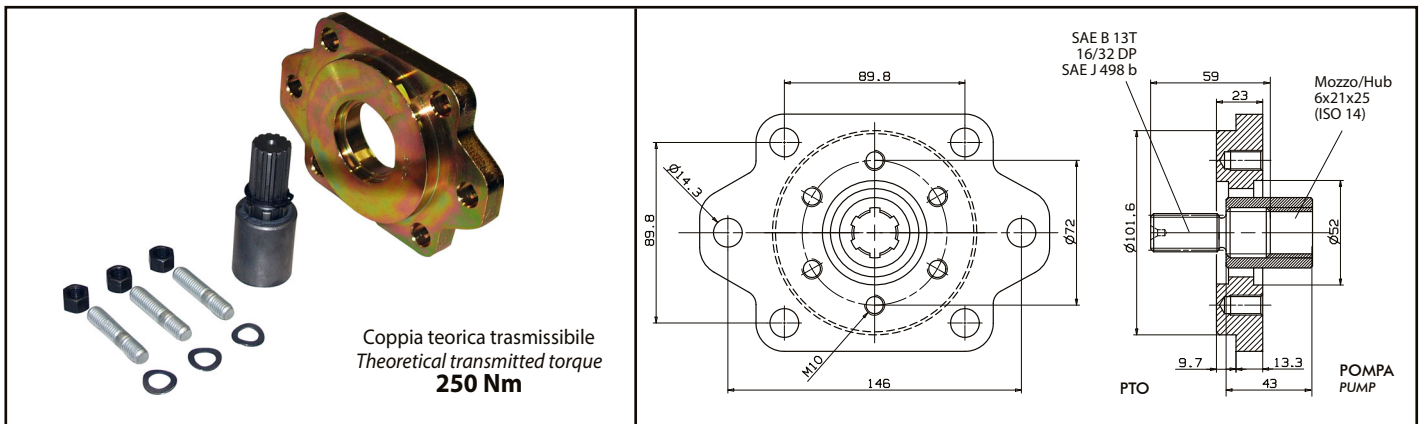
11400011854

Applicazione PTO SAE B / POMPA 13 DIN - Adaptor SAE B PTO / 13 DIN BOLT PUMP



11400000017

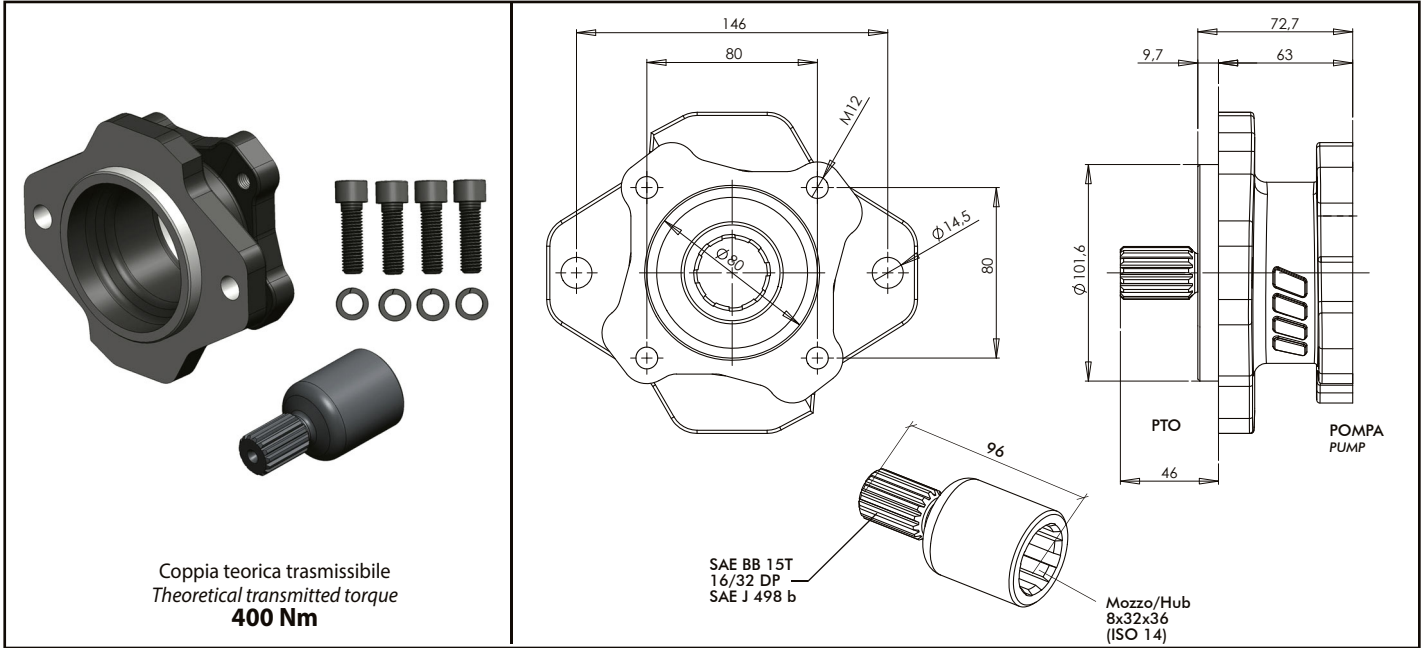
Applicazione PTO SAE B / POMPA UNI - Adaptor SAE B PTO / UNI PUMP



## APPLICAZIONI PTO/POMPA PTO/PUMP ADAPTORS

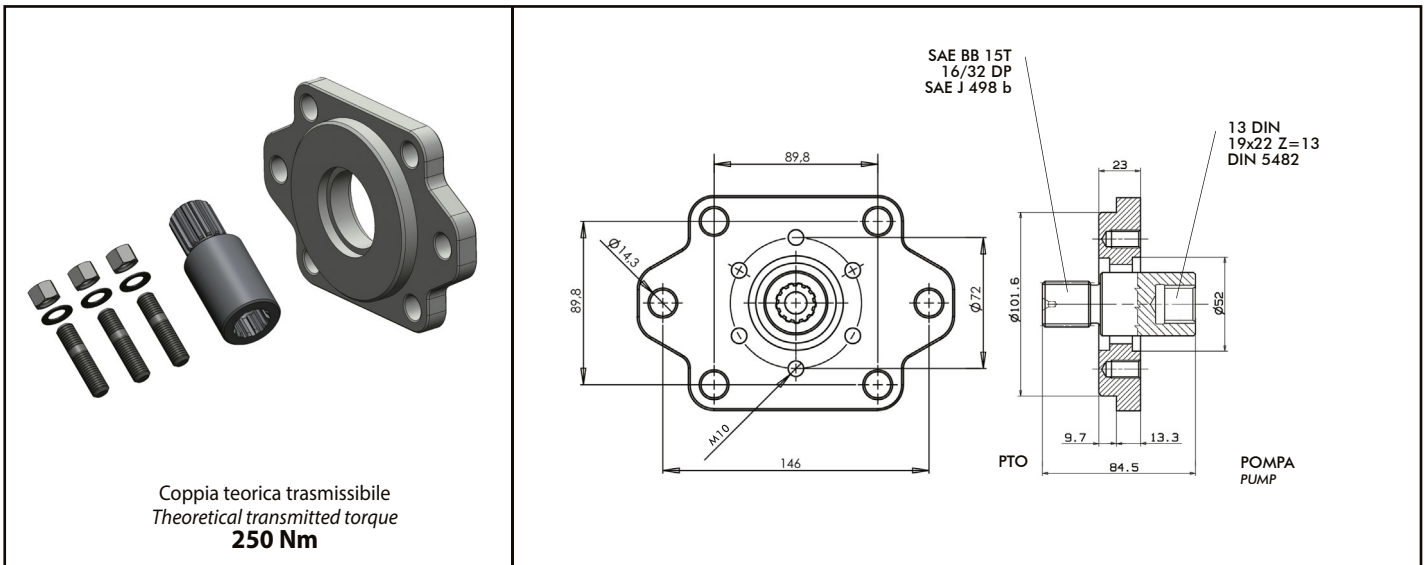
**11400011872**

Applicazione PTO SAE BB / POMPA ISO - Adaptor SAE BB PTO / ISO 4 BOLT PUMP



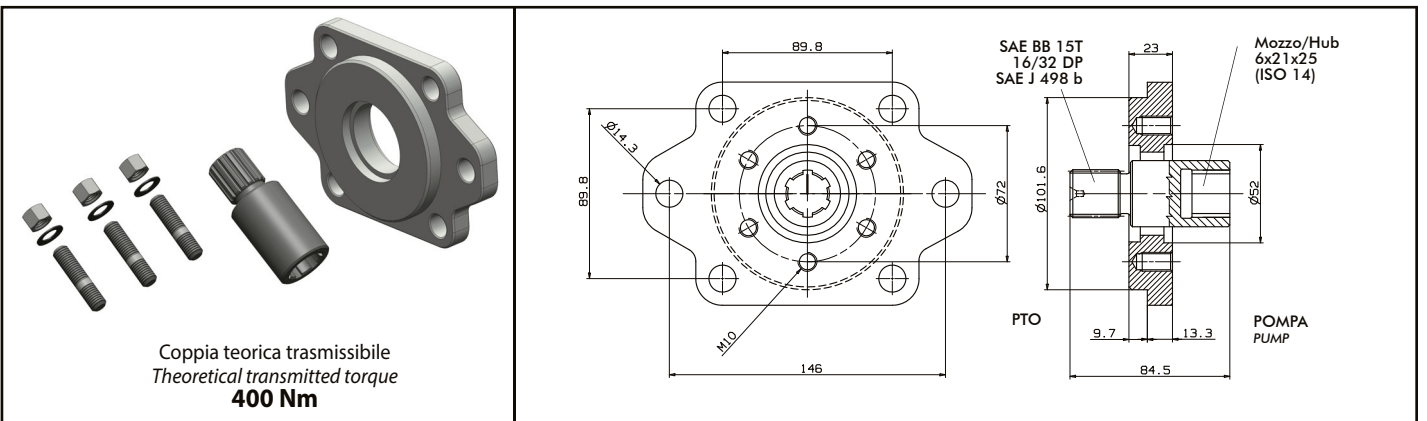
**11400011881**

Applicazione PTO SAE BB / POMPA 13 DIN - Adaptor SAE BB PTO / 13 DIN BOLT PUMP



**1140000768**

Applicazione PTO SAE BB / POMPA UNI - Adaptor SAE BB PTO / UNI PUMP

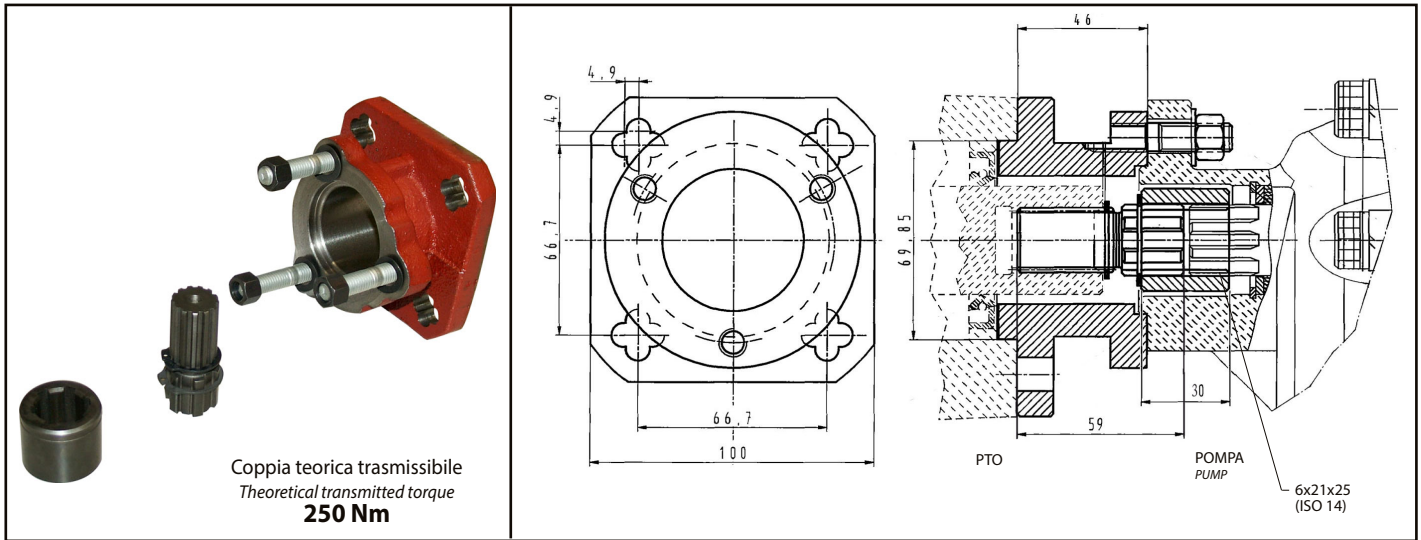


Codice foglio: 99711411701 Rev: AV

# APPLICAZIONI PTO/POMPA PTO/PUMP ADAPTORS

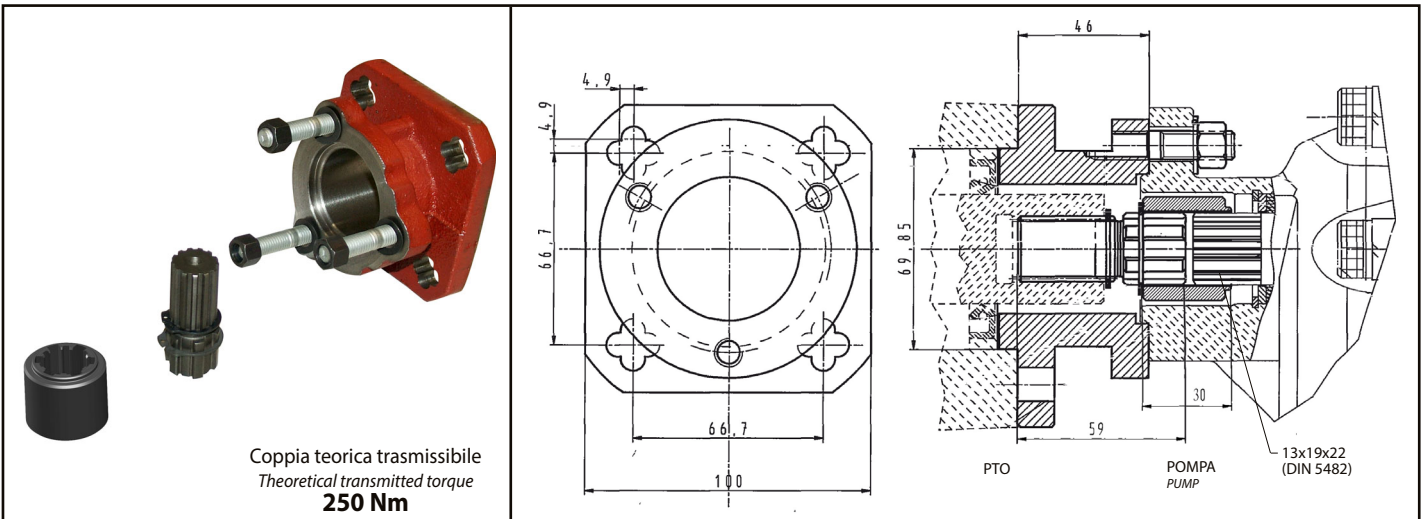
1140000080

Applicazione PTO DANA / POMPA UNI - Adaptor DANA PTO / UNI PUMP



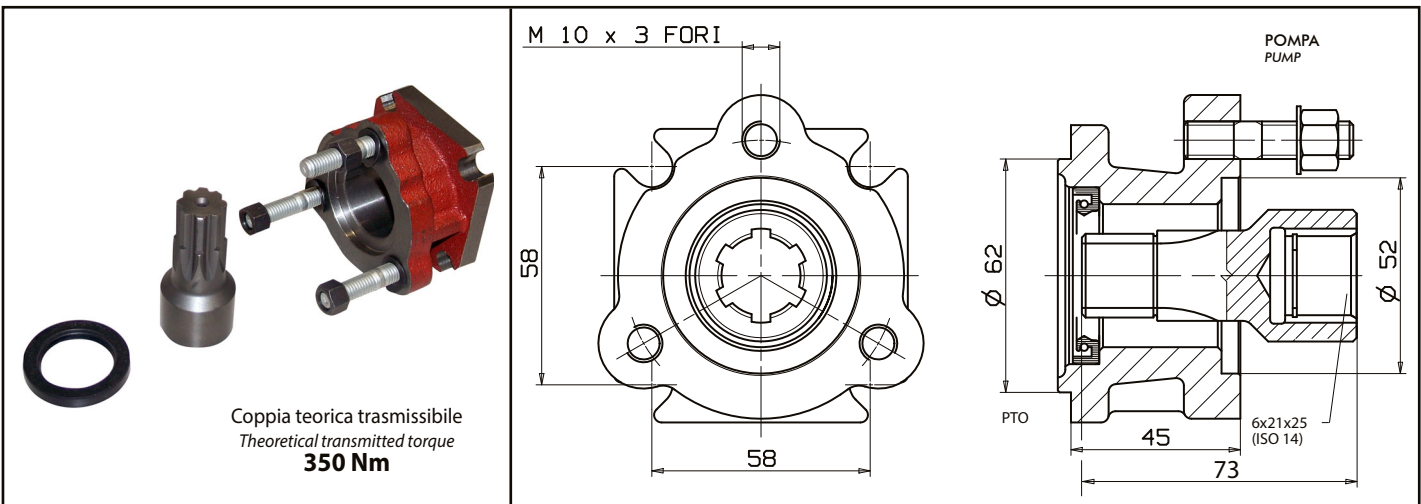
11400000259

Applicazione PTO DANA / POMPA DIN 5482 - Adaptor DANA PTO / DIN 5482 PUMP



11400000375

Applicazione PTO POWAUTO / POMPA UNI - Adaptor POWAUTO PTO / UNI PUMP

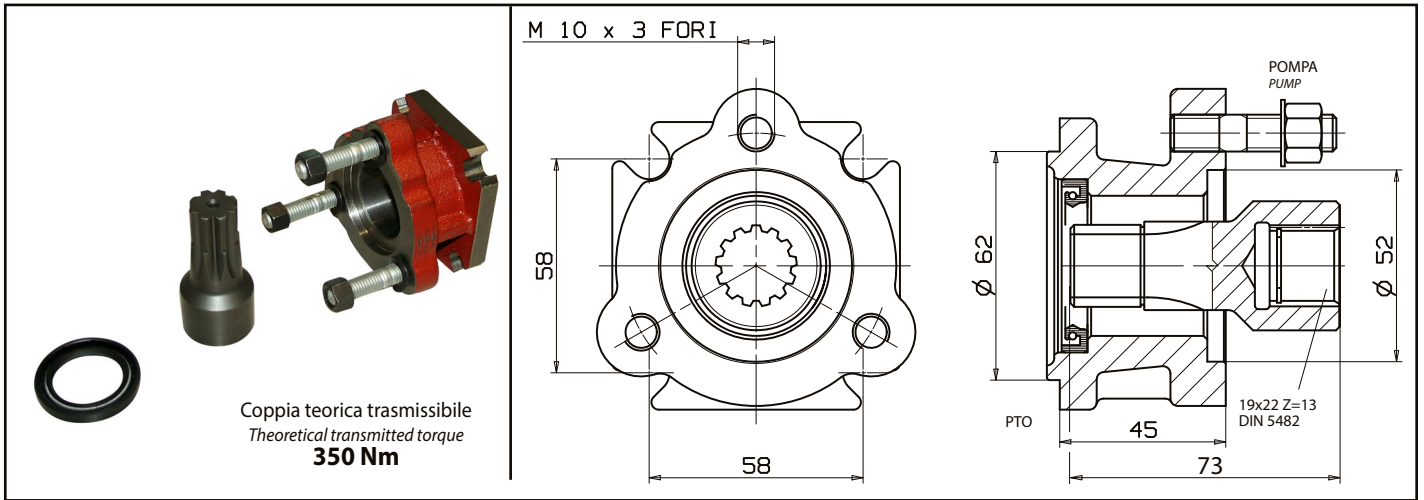




## APPLICAZIONI PTO/POMPA PTO/PUMP ADAPTORS

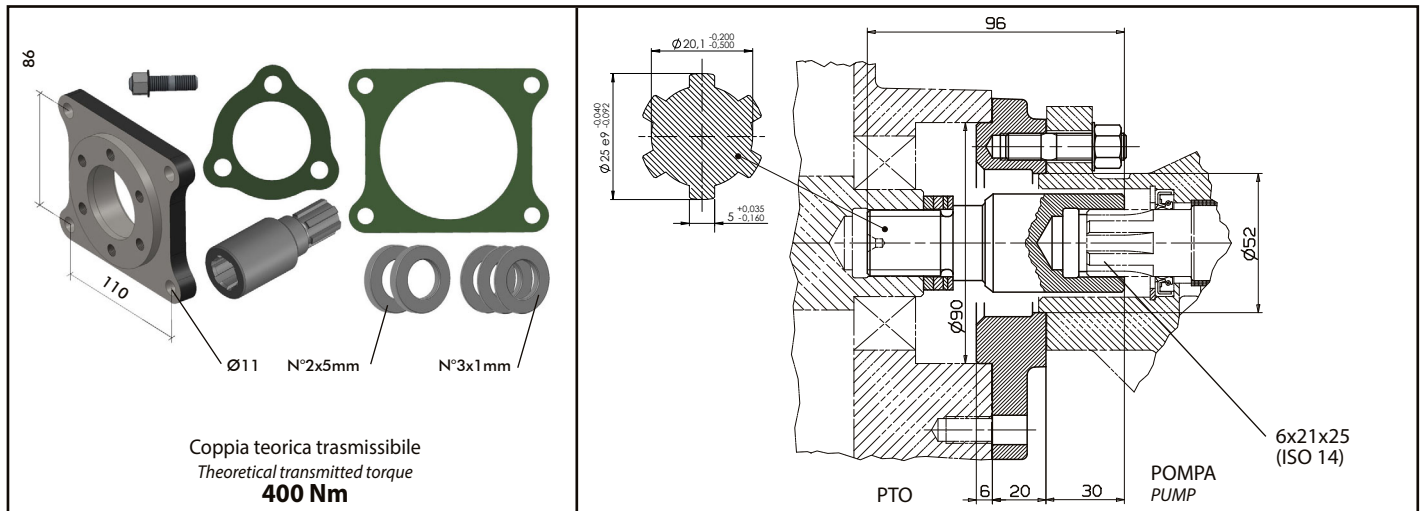
**1140000384**

Applicazione PTO POWAUTO / POMPA DIN 13 - Adaptor POWAUTO PTO / DIN 13 PUMP



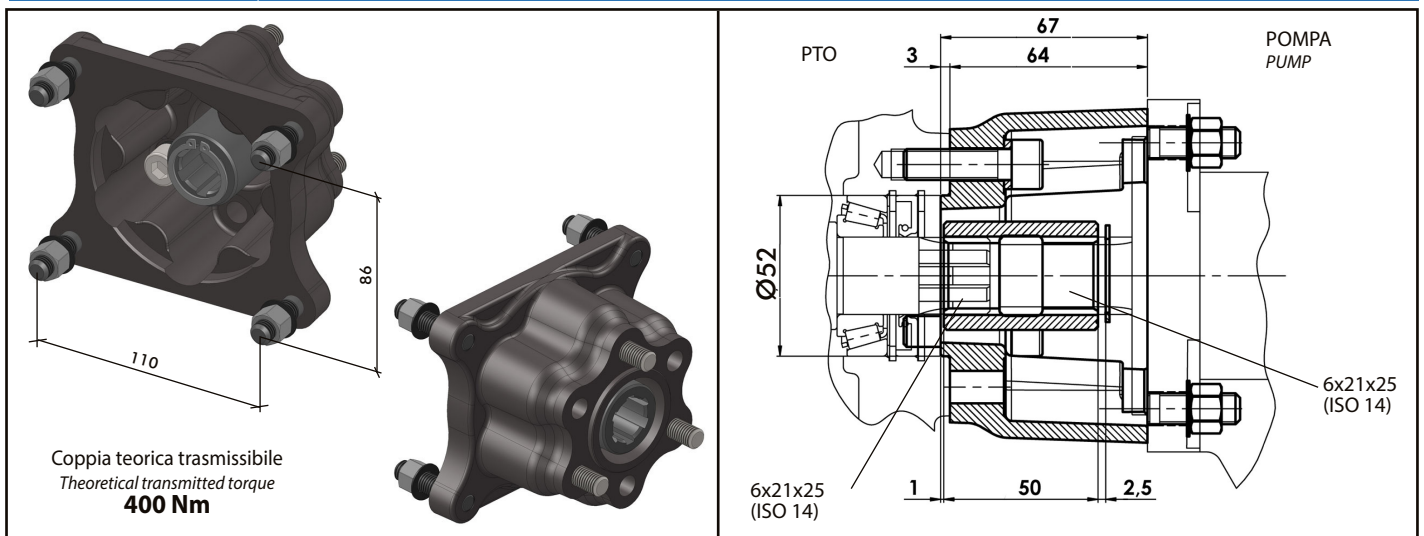
**11400011863**

Applicazione PTO EST STANDARD/POMPA UNI - Adaptor EST STANDARD PTO/UNI 3 BOLT PUMP



**11400011845**

Applicazione PTO UNI/POMPA EST STANDARD - Adaptor UNI PTO/EST STANDARD PUMP

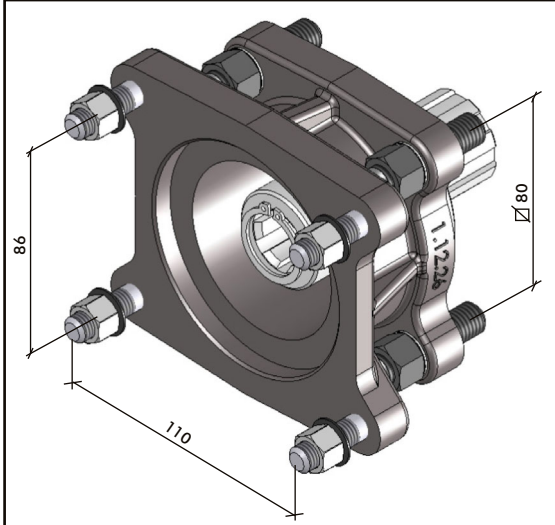


Codice foglio: 99711411701 Rev. AV

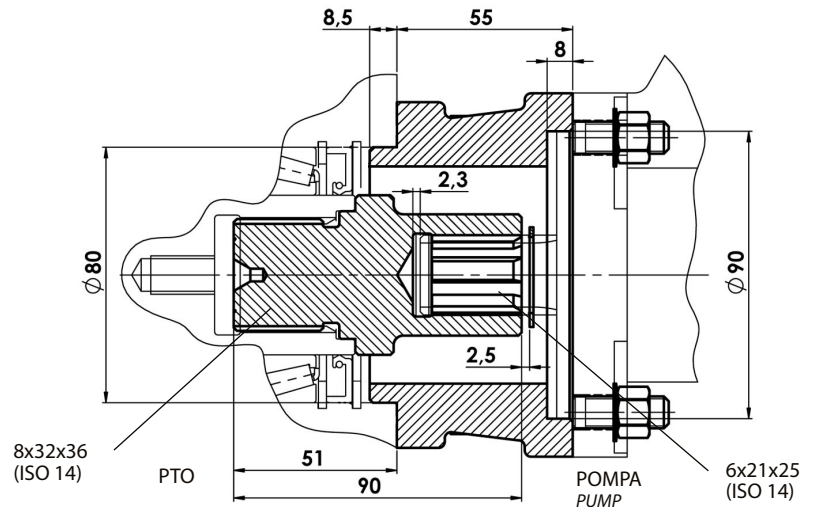
## APPLICAZIONI PTO/POMPA PTO/PUMP ADAPTORS

**11400011836**

Applicazione PTO ISO/POMPA EST STANDARD - Adaptor ISO PTO/EST STANDARD PUMP

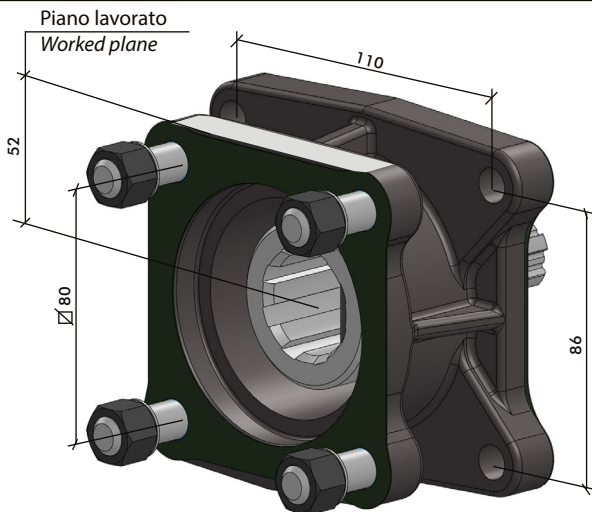


Coppia teorica trasmissibile  
Theoretical transmitted torque  
**400 Nm**

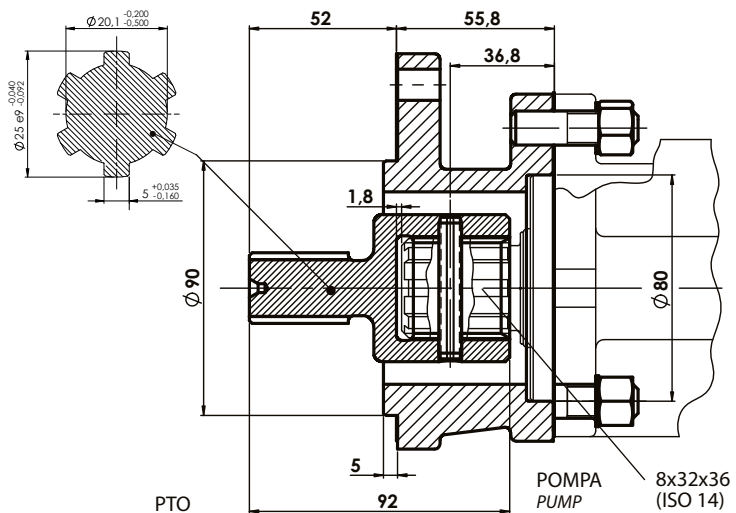


**11400011952**

Applicazione PTO EST STANDARD/POMPA ISO - Adaptor EST STANDARD PTO/ISO PUMP



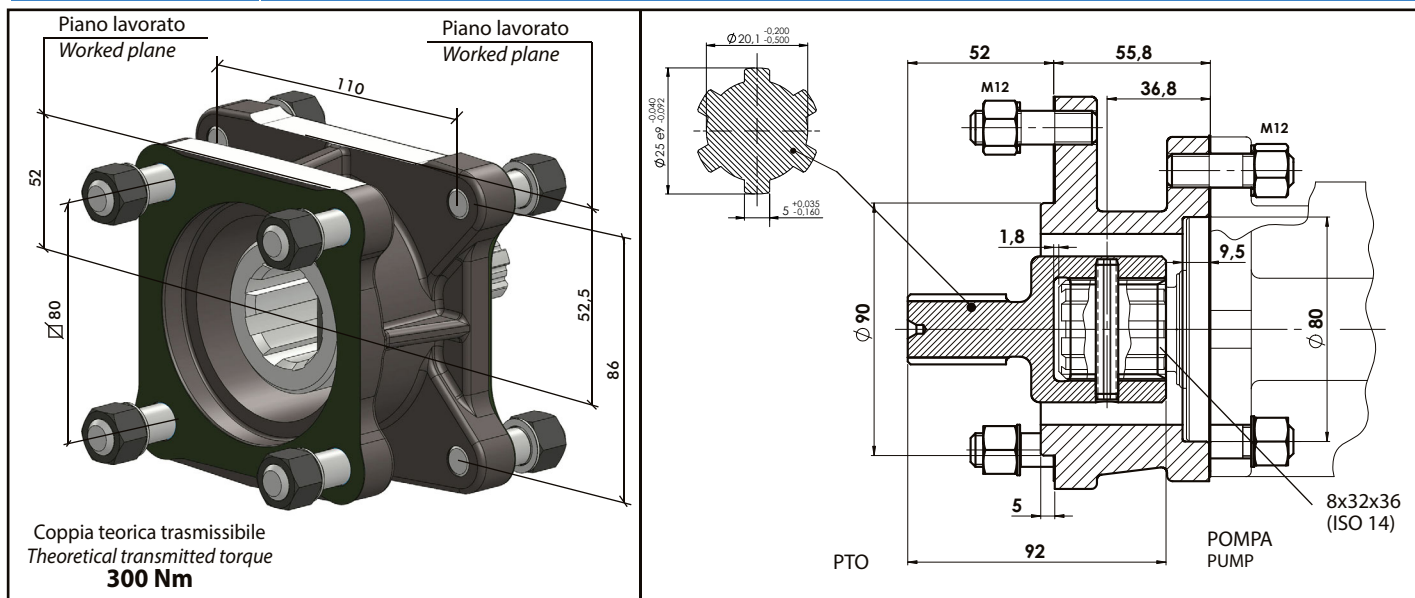
Coppia teorica trasmissibile  
Theoretical transmitted torque  
**300 Nm**



# APPLICAZIONI PTO/POMPA PTO/PUMP ADAPTORS

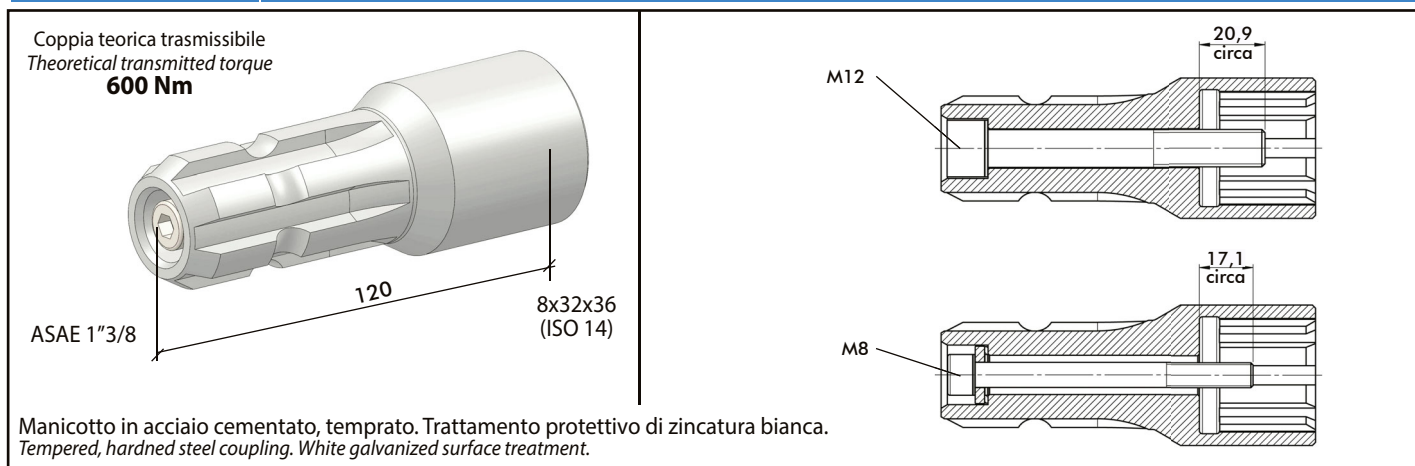
11400011970

Applicazione PTO EST STANDARD/POMPA ISO - Adaptor EST STANDARD PTO/ISO PUMP



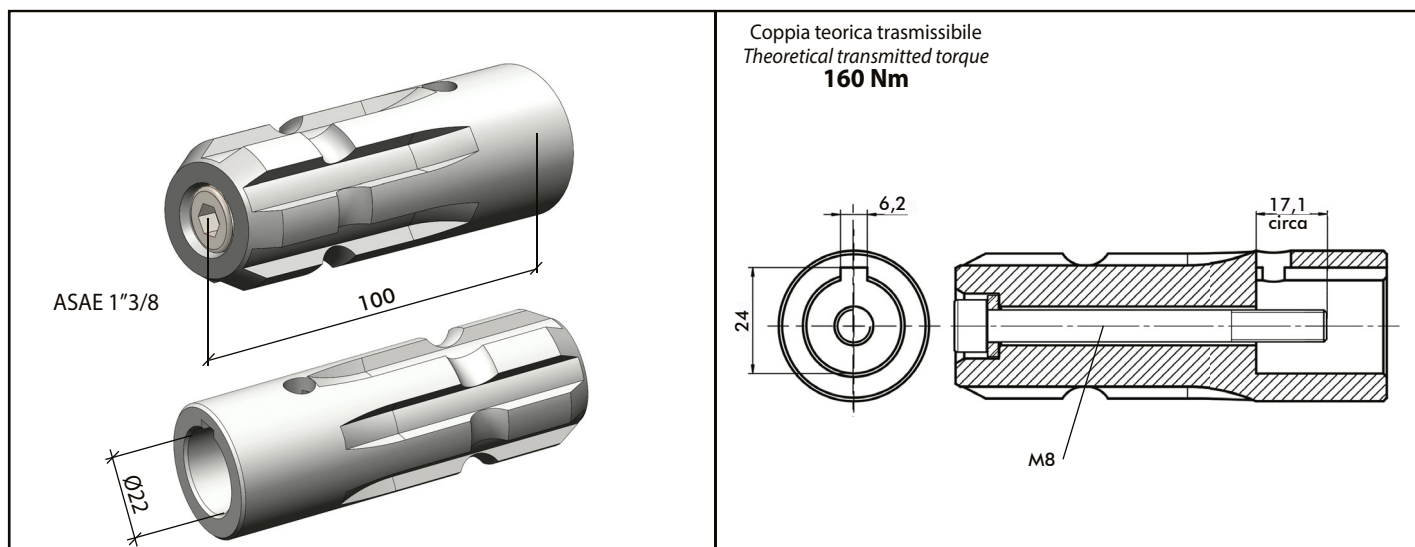
11400001570

Applicazione MANICOTTO ASAE 1 1/8/POMPA ISO - Adaptor ASAE 1 1/8 / ISO PUMP



11400500058

Applicazione MANICOTTO ASAE 1 1/8 - Ø22mm - Adaptor ASAE 1 1/8 / Ø22mm



Codice foglio: 99711411701 Rev.: AV

Алматы (7273)495-231  
Ангарск (3955)60-70-56  
Архангельск (8182)63-90-72  
Астрахань (8512)99-46-04  
Барнаул (3852)73-04-60  
Белгород (4722)40-23-64  
Благовещенск (4162)22-76-07  
Брянск (4832)59-03-52  
Владивосток (423)249-28-31  
Владикавказ (8672)28-90-48  
Владимир (4922)49-43-18  
Волгоград (844)278-03-48  
Вологда (8172)26-41-59  
Воронеж (473)204-51-73  
Екатеринбург (343)384-55-89

Иваново (4932)77-34-06  
Ижевск (3412)26-03-58  
Иркутск (395)279-98-46  
Казань (843)206-01-48  
Калининград (4012)72-03-81  
Калуга (4842)92-23-67  
Кемерово (3842)65-04-62  
Киров (8332)68-02-04  
Коломна (4966)23-41-49  
Кострома (4942)77-07-48  
Краснодар (861)203-40-90  
Красноярск (391)204-63-61  
Курск (4712)77-13-04  
Курган (3522)50-90-47  
Липецк (4742)52-20-81

Магнитогорск (3519)55-03-13  
Москва (495)268-04-70  
Мурманск (8152)59-64-93  
Набережные Челны (8552)20-53-41  
Нижний Новгород (831)429-08-12  
Новокузнецк (3843)20-46-81  
Новосибирск (383)227-86-73  
Омск (3812)21-46-40  
Орел (4862)44-53-42  
Оренбург (3532)37-68-04  
Пенза (8412)22-31-16  
Петрозаводск (8142)55-98-37  
Псков (8112)59-10-37  
Пермь (342)205-81-47

Ростов-на-Дону (863)308-18-15  
Рязань (4912)46-61-64  
Самара (846)206-03-16  
Санкт-Петербург (812)309-46-40  
Севастополь (8692)22-31-93  
Саранск (8342)22-96-24  
Симферополь (3652)67-13-56  
Смоленск (4812)29-41-54  
Орел (862)225-72-31  
Ставрополь (8652)20-65-13  
Сургут (3462)77-98-35  
Сыктывкар (8212)25-95-17  
Тамбов (4752)50-40-97  
Тверь (4822)63-31-35

Тольятти (8482)63-91-07  
Томск (3822)98-41-53  
Тула (4872)33-79-87  
Тюмень (3452)66-21-18  
Ульяновск (8422)24-23-59  
Улан-Удэ (3012)59-97-51  
Уфа (347)229-48-12  
Хабаровск (4212)92-98-04  
Чебоксары (8352)28-53-07  
Челябинск (351)202-03-61  
Череповец (8202)49-02-64  
Чита (3022)38-34-83  
Якутск (4112)23-90-97  
Ярославль (4852)69-52-93

Россия +7(495)268-04-70

Казахстан +7(7172)727-132

Киргизия +996(312)96-26-47